

## TECHNICAL CARD



Wall-mounted spot luminaire



Pursuant to the provisions of the WEEE Act, it is forbidden to put waste equipment marked with the symbol of a crossed out bin together with other waste. The user, wishing to get rid of electronic and electrical equipment, is obliged to return it to a waste equipment collection point. There are no hazardous components in the equipment that have a particularly negative impact on the environment and human health.

# VIDEX®



IK07



-20° +40°C



Free



IP20

## WARRANTY 2 YEARS

### General parameters

**Light source replaceable** end user

### Electrical parameters

**Rated voltage, frequency** AC 220-240 V, 50/60 Hz

**Input interface** Terminal block

**Electric shock protection class** I

### Additional information

**Place of installation** Wall

**Place of application** indoor

**Impact protection** IK07

**Housing colour** White

**Operating temperature range** -20° +40°C

**Mercury content** Does not contain

**Ingress protection** IP20

**Housing material** Aluminum

### Dimensions

**EAN** 4820246482073

**Outer box** 20 pcs.

## VIDEX-GU10-KENT-WHITE

### INDEX: VL-SPF05E-W

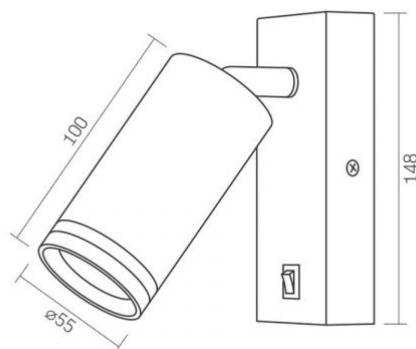
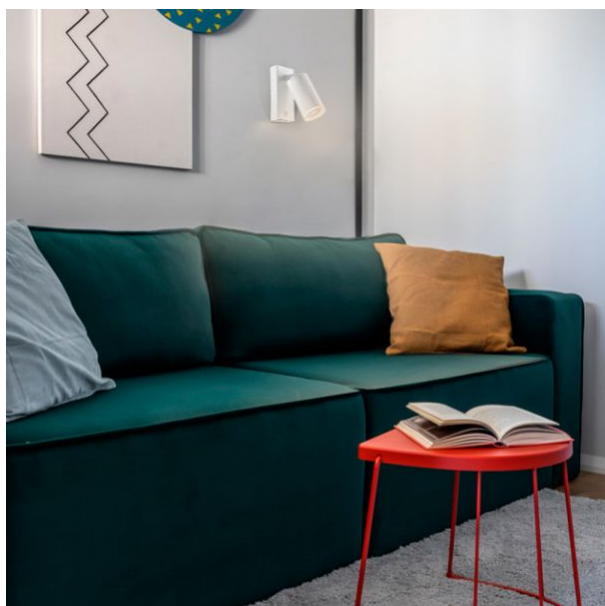
**Height** 100 mm

**Width** 55 mm

**Depth** 55 mm



### INDEX: VL-SPF05E-W



We reserve the right to make technical changes. The data contained in this material is not legally binding.

Allegro opt Sp. z o.o., ul. Mierzeja Wiślana 11,  
30-732 Krakow, Poland.



The product must be used indoors



Protection against electric shock class I. A product in which the means of protection against electric shock, in addition to the main insulation, is an additional protective circuit connected to the grounding of the power supply network



IK07

The product withstands a medium impact (e.g., from a blunt object)



-20° +40°C

Operating temperatures range



Free

The product does not contain mercury



IP20

Class of protection against dust and moisture. Protection against solid objects larger than 12 mm; no protection against moisture