

## TECHNICAL CARD



PIR motion and light sensor



Pursuant to the provisions of the WEEE Act, it is forbidden to put waste equipment marked with the symbol of a crossed out bin together with other waste. The user, wishing to get rid of electronic and electrical equipment, is obliged to return it to a waste equipment collection point. There are no hazardous components in the equipment that have a particularly negative impact on the environment and human health.

# VIDEX®



Free



-20° +40°C



IP65

## WARRANTY 3 YEARS

### Electrical parameters

<b>Rated voltage, frequency</b>	AC 220-240 V, 50/60 Hz
<b>Input interface</b>	Free wire ends
<b>Electric shock protection class</b>	II
<b>Standby Power (Psb)</b>	<0.6 W

### Photometric parameters

<b>Sensor light threshold</b>	3-2000 Lx
-------------------------------	-----------

### Additional information

<b>Place of installation</b>	Ceiling, Flat surface, Wall
<b>Place of application</b>	indoor, outdoor
<b>Housing colour</b>	White
<b>Ultraviolet radiation</b>	no
<b>Motion sensor</b>	yes
<b>Sensor type</b>	PIR
<b>Sensor detection angle</b>	120°, 360°
<b>Sensor time delay</b>	10 s - 8 min
<b>Sensor detection distance</b>	2 - 8 m
<b>Operating temperature range</b>	-20° +40°C

## VIDEX VL-SPR24 800W IP65

### INDEX: VL-SPR24

<b>Ingress protection</b>	IP65
<b>Housing material</b>	PC

### Dimensions

<b>EAN</b>	4820246488471
<b>In the package</b>	1 pc.
<b>Height</b>	23.5 mm
<b>Outer box</b>	20 pcs.
<b>Width</b>	18 mm
<b>Depth</b>	18 mm
<b>Unit nett weight</b>	47g

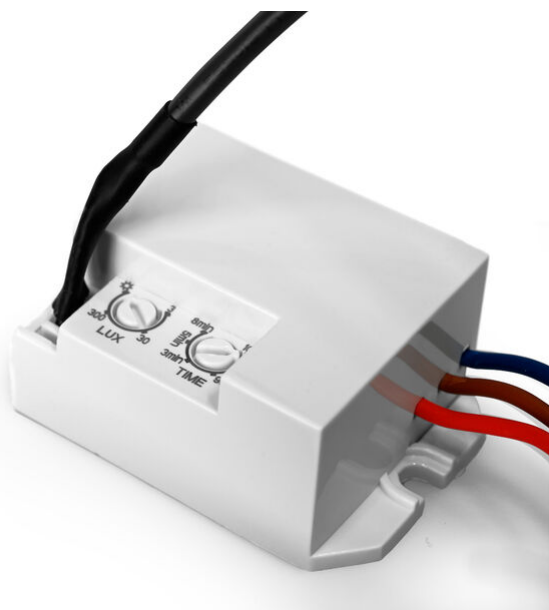
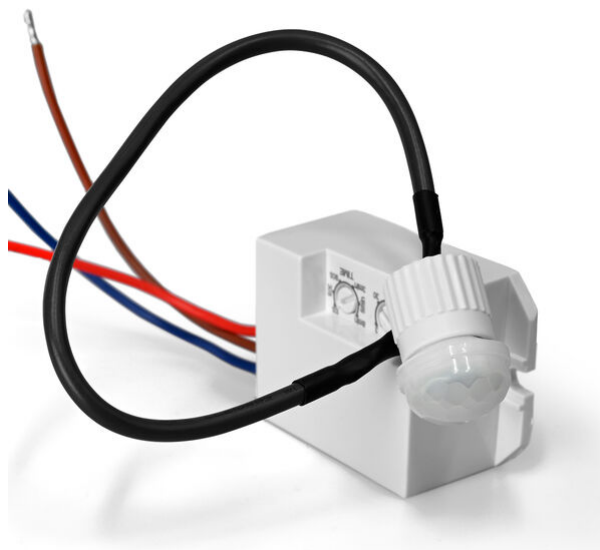
### Signs marking goods

<b>Packaging marking</b>	CE, Utilization
--------------------------	-----------------



**VIDEX®**

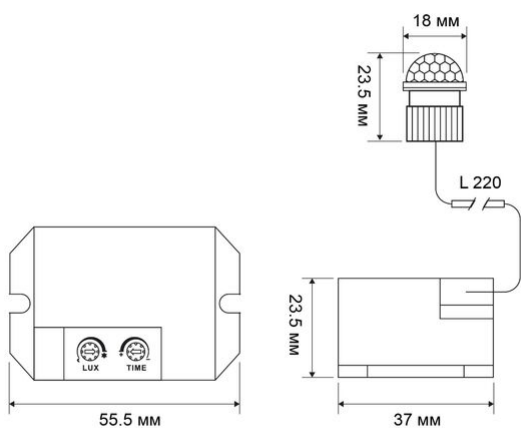
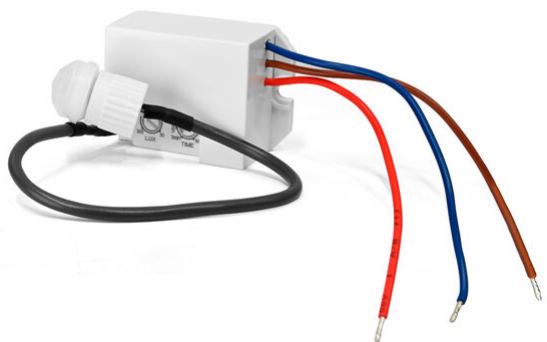
VIDEX VL-SPR24 800W IP65

**INDEX: VL-SPR24**

### INDEX: VL-SPR24

We reserve the right to make technical changes. The data contained in this material is not legally binding.

Allegra opt Sp. z o.o., ul. Mierzeja Wiślana 11,  
30-732 Krakow, Poland.



The product must be used indoors



The product must be used outdoors



Class of protection against electric shock II - provided not only by basic insulation but also by double or reinforced insulation



The product meets the requirements of EU directives



It is forbidden to throw away waste equipment marked with the symbol of a crossed-out bin with other waste



Free

The product does not emit ultraviolet light



-20° +40°C

Operating temperatures range



IP65

Class of protection against dust and moisture. The product has full protection against dust and water jets from all directions