

## TECHNICAL CARD



PIR motion and light sensor



Pursuant to the provisions of the WEEE Act, it is forbidden to put waste equipment marked with the symbol of a crossed out bin together with other waste. The user, wishing to get rid of electronic and electrical equipment, is obliged to return it to a waste equipment collection point. There are no hazardous components in the equipment that have a particularly negative impact on the environment and human health.

# VIDEX®



Free



-20° +40°C



IP65

## WARRANTY 2 YEARS

### Electrical parameters

Rated voltage, frequency	AC 220-240 V, 50/60 Hz
Input interface	Free wire ends
Electric shock protection class	II
Standby Power (Psb)	<0.9 W

### Photometric parameters

Sensor light threshold	10-2000 Lx
------------------------	------------

### Additional information

Place of installation	Ceiling, Flat surface, Wall
Place of application	indoor, outdoor
Housing colour	White
Ultraviolet radiation	no
Motion sensor	yes
Sensor type	PIR
Sensor detection angle	360°
Sensor time delay	10 s - 7 min
Sensor detection distance	2 - 8 m
Operating temperature range	-20° +40°C
Ingress protection	IP65

## VIDEX VL-SPR17W 1200W

### INDEX: VL-SPR17W

Housing material	ABS, PE (Polyethylene)
------------------	------------------------

### Dimensions

EAN	4820118299310
In the package	1 pc.
Height	80 mm
Outer box	100 pcs.
Width	80 mm
Depth	53 mm
Unit nett weight	69g

### Signs marking goods

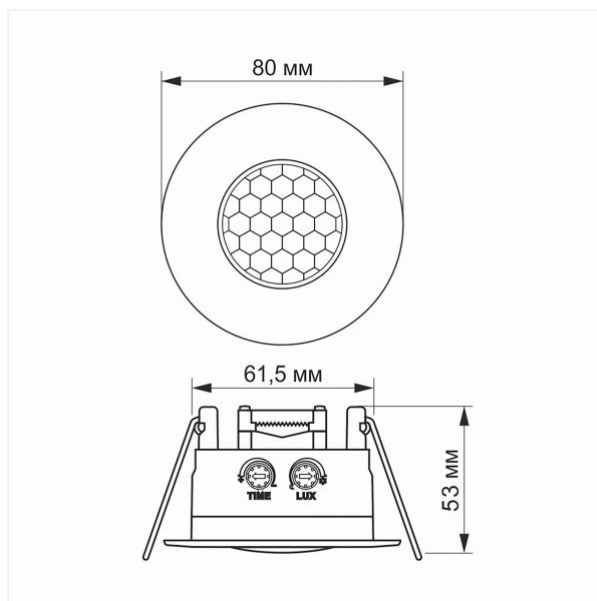
Packaging marking	Recycling of waste, CE, Utilization
-------------------	-------------------------------------



# VIDEX®

## VIDEX VL-SPR17W 1200W

### INDEX: VL-SPR17W



8m

10sec-  
7min10-2000  
lx

360°

1200W

IP65

We reserve the right to make technical changes. The data contained in this material is not legally binding.

Allegro opt Sp. z o.o., ul. Mierzeja Wiślana 11,  
30-732 Krakow, Poland.



The product must be used indoors



The product must be used outdoors



Class of protection against electric shock II - provided not only by basic insulation but also by double or reinforced insulation



Waste recycling after the end of the product's service life



The product meets the requirements of EU directives



It is forbidden to throw away waste equipment marked with the symbol of a crossed-out bin with other waste



Free

The product does not emit ultraviolet light



-20° +40°C

Operating temperatures range



IP65

Class of protection against dust and moisture. The product has full protection against dust and water jets from all directions

Date: 4.06.2026