

## TECHNICAL CARD



PIR motion and light sensor

# VIDEX®



Free



-20° +40°C



IP20

## WARRANTY 3 YEARS

### Electrical parameters

Rated voltage, frequency	AC 220-240 V, 50/60 Hz
Input interface	Terminal block
Electric shock protection class	II
Standby Power (Psb)	<0.6 W

### Photometric parameters

Sensor light threshold	3-2000 Lx
------------------------	-----------

### Additional information

Place of installation	Ceiling
Place of application	indoor
Housing colour	Black
Ultraviolet radiation	no
Motion sensor	yes
Sensor type	PIR
Sensor detection angle	360°
Sensor time delay	10 s - 15 min
Sensor detection distance	2 - 8 m
Operating temperature range	-20° +40°C
Ingress protection	IP20

## VIDEX VL-SPC05B 800W Black

### INDEX: VL-SPC05B

Housing material PC

### Dimensions

EAN	4820246488433
In the package	1 pc.
Outer box	20 pcs.
Height	102 mm
Width	102 mm
Depth	23 mm
Unit nett weight	82g

### Signs marking goods

Packaging marking CE, Utilization



**VIDEX<sup>®</sup>**

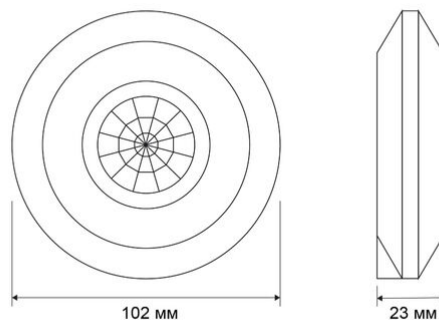
VIDEX VL-SPC05B 800W Black

**INDEX: VL-SPC05B**

# VIDEX®

## VIDEX VL-SPC05B 800W Black

### INDEX: VL-SPC05B



We reserve the right to make technical changes. The data contained in this material is not legally binding.

Allegro opt Sp. z o.o., ul. Mierzeja Wiślana 11,  
30-732 Krakow, Poland.



The product must be used indoors



Class of protection against electric shock II - provided not only by basic insulation but also by double or reinforced insulation



The product meets the requirements of EU directives



It is forbidden to throw away waste equipment marked with the symbol of a crossed-out bin with other waste



Free

— The product does not emit ultraviolet light



-20° +40°C

— Operating temperatures range



IP20

— Class of protection against dust and moisture. Protection against solid objects larger than 12 mm; no protection against moisture