

TECHNICAL CARD



LED RECHARGEABLE LAMP with REMOTE CONTROL



Pursuant to the provisions of the WEEE Act, it is forbidden to put waste equipment marked with the symbol of a crossed out bin together with other waste. The user, wishing to get rid of electronic and electrical equipment, is obliged to return it to a waste equipment collection point. There are no hazardous components in the equipment that have a particularly negative impact on the environment and human health.

VIDEX®



Ra ≥ 80



Free



Dimmable



-20° +40°C



Free



IP20

WARRANTY 2 YEARS

General parameters

Light source replaceable	no
--------------------------	----

Type of light source

Dimmable	yes
----------	-----

Technology	LED
------------	-----

Electrical parameters

On-mode power (Pon)	2.5 W
---------------------	-------

Input interface	USB-C
-----------------	-------

Electric shock protection class	III
---------------------------------	-----

Photometric parameters

Luminous flux	250 Lm
---------------	--------

Correlated color temperature	6500K (cold white), 4000K (neutral white), 3000K (warm white), RGB + White
------------------------------	--

Beam angle	130°
------------	------

Color rendering index (CRI)	Ra > 80
-----------------------------	---------

VIDEX VL-NL103W-R

INDEX: VL-NL103W-R

CRI Min	Ra 80
---------	-------

CRI Max	Ra 88
---------	-------

Additional information

Place of application	indoor
----------------------	--------

Housing colour	White
----------------	-------

Ultraviolet radiation	no
-----------------------	----

Motion sensor	no
---------------	----

Operating temperature range	-20° +40°C
-----------------------------	------------

Battery voltage	3.7 V
-----------------	-------

Battery capacity	4000 mAh
------------------	----------

Battery type	Li-ion
--------------	--------

Battery replaceable	no
---------------------	----

Mercury content	Does not contain
-----------------	------------------

Ingress protection	IP20
--------------------	------

Housing material	ABS
------------------	-----

Dimensions

EAN	4820246489492
-----	---------------

In the package	1 pc.
----------------	-------

Outer box	36 pcs.
-----------	---------

Height	81 mm
--------	-------

Width	81 mm
-------	-------

Depth	112 mm
-------	--------

Unit nett weight	165g
------------------	------

Signs marking goods

VIDEX®

VIDEX VL-NL103W-R

INDEX: VL-NL103W-R**Packaging marking**Recycling of
waste, CE,
Utilization

INDEX: VL-NL103W-R



VIDEX®

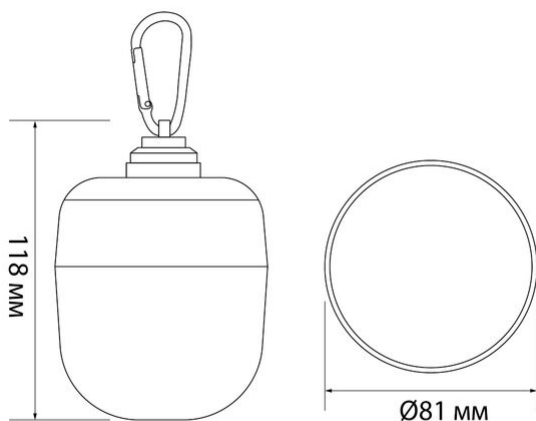
VIDEX VL-NL103W-R

INDEX: VL-NL103W-R

INDEX: VL-NL103W-R

We reserve the right to make technical changes. The data contained in this material is not legally binding.

Allegro opt Sp. z o.o., ul. Mierzeja Wiślana 11,
30-732 Krakow, Poland.



The product must be used indoors



Class III protection against electric shock - ensured by supplying a specific product with a safe very low voltage (SELV) without the risk of creating a voltage above safe levels



Waste recycling after the end of the product's service life



The product meets the requirements of EU directives



It is forbidden to throw away waste equipment marked with the symbol of a crossed-out bin with other waste



Ra > 80

— Ra > 80 - color rendering index



Free

— The product does not emit ultraviolet light



Dimmable

— The product supports brightness adjustment



-20° +40°C

— Operating temperatures range



Free

— The product does not contain mercury



IP20

— Class of protection against dust and moisture. Protection against solid objects larger than 12 mm; no protection against moisture