

TECHNICAL CARD



LED Downlight Fixture

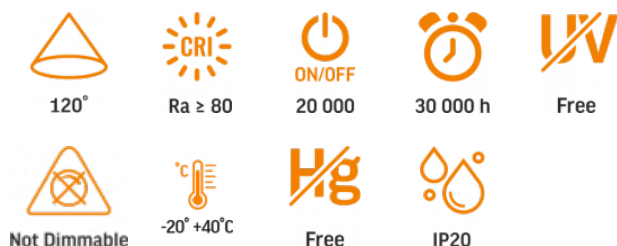


Pursuant to the provisions of the WEEE Act, it is forbidden to put waste equipment marked with the symbol of a crossed out bin together with other waste. The user, wishing to get rid of electronic and electrical equipment, is obliged to return it to a waste equipment collection point. There are no hazardous components in the equipment that have a particularly negative impact on the environment and human health.

VIDEX®

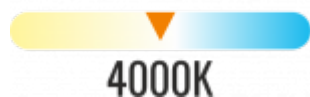
VIDEX-DOWNLIGHT-LED-DLBR-044-4W-NW

INDEX: VLE-DLBR-044



WARRANTY 2 YEARS

NEUTRAL WHITE



Neutral White / Neutralny biały / Neutralni bila / Blanc neuter / Neutrálna biela / Neutraal wit / Semleges feher / Nevtralno bela / Neutralno bijela / Neutralweiß / Alb neutru / Neutraus balta / Neitrāls balta / Neutraalne valge / Неутрално бяла / Bianco neutro.

General parameters

Light source or containing product	Containing product
Control gear replaceable	-
Light source replaceable	by the producer

Type of light source

Energy efficiency class of the contained light source	F
Dimmable	no
Directional (DLS) or non-directional (NDLS) light source	NDLS
Connected light source (cls)	no
Color-tunable light source	no
Mains (MLS) or non-mains (NMLS) light source	MLS
High luminance light source	No

Anti-glare shield No

Electrical parameters

On-mode power (Pon)	4 W
Rated voltage, frequency	AC 220-240 V, 50/60 Hz
Rated current	30 mA
Input interface	Free wire ends
Electric shock protection class	II
Survival factor	0.9
Energy consumption in on-mode of the light source (kWh/1000h)	4

Photometric parameters

Useful luminous flux of the contained light source (Φuse)	380 Lm
Correlated color temperature	4000K (neutral white)
Beam angle	120°
Color rendering index (CRI)	Ra > 80
On/Off cycles	20000
Lifetime (L70B50)	30000 h
Useful luminous flux of the light source reference	in a sphere (360°)

Additional information

Place of installation	Ceiling, Recessed
Place of application	indoor
Housing colour	White

VIDEX®

VIDEX-DOWNLIGHT-LED-DLBR-044-4W-NW

INDEX: VLE-DLBR-044

Ultraviolet radiation	no
Operating temperature range	-20° +40°C
Mercury content	Does not contain
Ingress protection	IP20
Housing material	Plastic

Dimensions

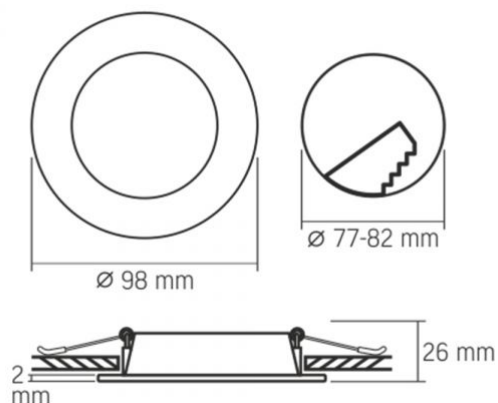
EAN	5904405540855
In the package	1 pc.
Height	98 mm
Outer box	40 pcs.
Width	98 mm
Depth	26 mm

Signs marking goods

Packaging marking	Recycling of waste, CE, Utilization
--------------------------	-------------------------------------



INDEX: VLE-DLBR-044



We reserve the right to make technical changes. The data contained in this material is not legally binding.

Allegro opt Sp. z o.o., ul. Mierzeja Wiślana 11,
30-732 Krakow, Poland.



The product must be used indoors



Class of protection against electric shock II - provided not only by basic insulation but also by double or reinforced insulation



Waste recycling after the end of the product's service life



The product meets the requirements of EU directives



It is forbidden to throw away waste equipment marked with the symbol of a crossed-out bin with other waste



120°

Rated beam angle



Ra > 80

— Ra > 80 - color rendering index



20 000

— Rated On/off cycles



30 000 h

— Nominal lifetime (hours)



Free

— The product does not emit ultraviolet light



Not Dimmable

— The product is incompatible with light regulators



-20° +40°C

— Operating temperatures range



Free

— The product does not contain mercury



IP20

— Class of protection against dust and moisture. Protection against solid objects larger than 12 mm; no protection against moisture