

INDEX: VL-DL6R-18CW

TECHNICAL CARD



LED Ceiling Light



Pursuant to the provisions of the WEEE Act, it is forbidden to put waste equipment marked with the symbol of a crossed out bin together with other waste. The user, wishing to get rid of electronic and electrical equipment, is obliged to return it to a waste equipment collection point. There are no hazardous components in the equipment that have a particularly negative impact on the environment and human health.

INDEX: VL-DL6R-18CW



Ra ≥ 80



25 000 h



Free



Not Dimmable



-20° +40°C



No Flicker



CCT 3000K



CCT 4000K



CCT 6500K



Free



IP20

WARRANTY 2 YEARS

General parameters

Light source or containing product	Light source
Light source replaceable	no
Control gear replaceable	-

Type of light source

Energy class of the light source	F
Dimmable	no
Directional (DLS) or non-directional (NDLS) light source	NDLS
Connected light source (cls)	no
Color-tunable light source	yes
Mains (MLS) or non-mains (NMLS) light source	MLS
High luminance light source	No
Anti-glare shield	No
Technology	LED

Electrical parameters

On-mode power (Pon)	18 W
Rated voltage, frequency	AC 220-240 V, 50/60 Hz
Rated current	110 mA
Input interface	Terminal block
Electric shock protection class	II
Displacement factor (cos φ1)	0.7
Survival factor	1
Energy consumption in on-mode of the light source (kWh/1000h)	18

Photometric parameters

Useful luminous flux (Φuse)	1850 Lm
Correlated color temperature	6500K (cold white), 4000K (neutral white), 3000K (warm white)
Beam angle	140°
Color rendering index (CRI)	Ra > 80
On/Off cycles	15000
Lifetime (L70B50)	25000 h
Useful luminous flux of the light source reference	in a sphere (360°)
R9 colour rendering index value	>0
The lumen maintenance factor	≥94.8%
Flicker metric (Pst LM)	≤1
Stroboscopic effect metric (SVM)	-

INDEX: VL-DL6R-18CW

Colour consistency in MacAdam ellipses (SDCM)	<6 (3000K), <6 (4000K), <6 (6500K)
CRI Min	Ra 80
CRI Max	Ra 88

Additional information

Place of installation	Ceiling
Place of application	indoor
Housing colour	White
Diffuser material	Polycarbonate (PC)
Ultraviolet radiation	no
Operating temperature range	-20° +40°C
Suitable for installation in normally flammable surfaces	yes
Mercury content	Does not contain
Ingress protection	IP20
Housing material	PC

Dimensions

EAN	4820246487917
In the package	1 pc.
Height	217 mm
Outer box	20 pcs.
Width	217 mm
Depth	17 mm
Unit nett weight	389g

Signs marking goods

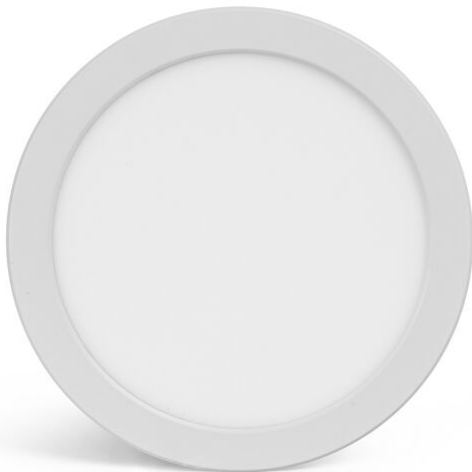
Packaging marking

Recycling of waste, CE, Utilization



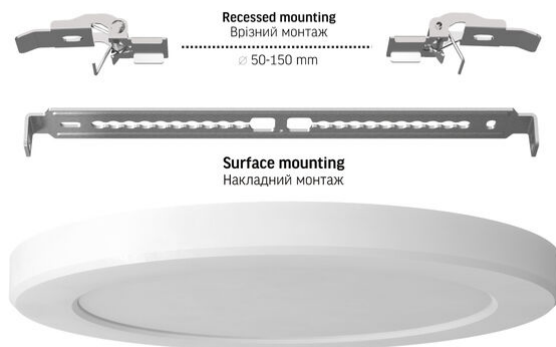
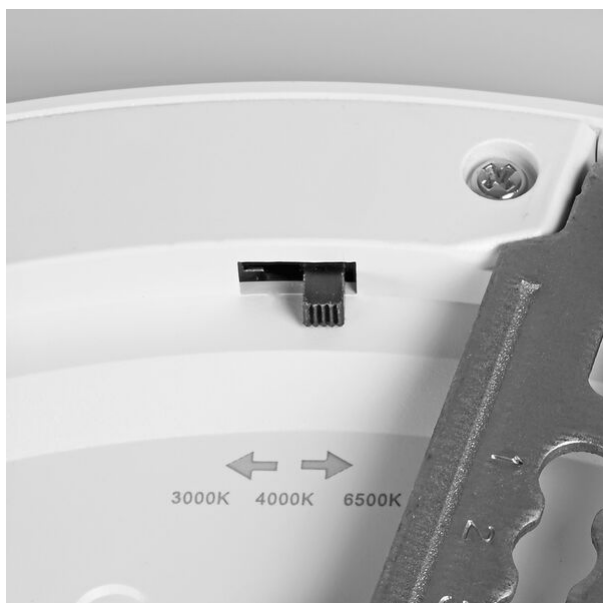
VIDEX[®]

VIDEX DL6R 18W 3000K-4000K-65000K 230V White

INDEX: VL-DL6R-18CW

VIDEX[®]

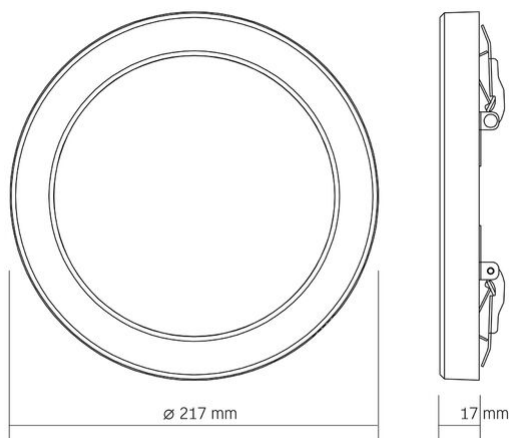
VIDEX DL6R 18W 3000K-4000K-6500K 230V White

INDEX: VL-DL6R-18CW

VIDEX®

VIDEX DL6R 18W 3000K-4000K-65000K 230V White

INDEX: VL-DL6R-18CW



We reserve the right to make technical changes. The data contained in this material is not legally binding.

Allegro opt Sp. z o.o., ul. Mierzeja Wiślana 11,
30-732 Krakow, Poland.

-  The product must be used indoors
-  Class of protection against electric shock II - provided not only by basic insulation but also by double or reinforced insulation
-  The product can be installed and used in/on normally flammable surfaces
-  Waste recycling after the end of the product's service life
-  The product meets the requirements of EU directives
-  It is forbidden to throw away waste equipment marked with the symbol of a crossed-out bin with other waste
-  — Ra > 80 - color rendering index
-  — Nominal lifetime (hours)
-  — The product does not emit ultraviolet light
-  — The product is incompatible with light regulators
-  — Operating temperatures range
-  — The flickering of the light does not exceed the permissible level
-  — Colour consistency in MacAdam ellipses (SDCM)
-  — Colour consistency in MacAdam ellipses (SDCM)
-  — Colour consistency in MacAdam ellipses (SDCM)
-  — The product does not contain mercury
-  — Class of protection against dust and moisture. Protection against solid objects larger than 12 mm; no protection against moisture