

VIDEX®

VIDEX VL-SPW11B 800W IP44 Black

INDEX: VL-SPW11B

TECHNICAL CARD



PIR motion and light sensor



Pursuant to the provisions of the WEEE Act, it is forbidden to put waste equipment marked with the symbol of a crossed out bin together with other waste. The user, wishing to get rid of electronic and electrical equipment, is obliged to return it to a waste equipment collection point. There are no hazardous components in the equipment that have a particularly negative impact on the environment and human health.

VIDEX®



Free



-20° +40°C



IP44

WARRANTY 3 YEARS

Electrical parameters

Rated voltage, frequency	AC 220-240 V, 50/60 Hz
Input interface	Terminal block
Electric shock protection class	II
Standby Power (Psb)	<0.6 W

Photometric parameters

Sensor light threshold	3-2000 Lx
------------------------	-----------

Additional information

Place of installation	Ceiling, Flat surface, Wall
Place of application	indoor, outdoor
Housing colour	Black
Ultraviolet radiation	no
Motion sensor	yes
Sensor type	PIR
Sensor time delay	10 s - 15 min
Sensor detection angle	160°, 45°
Sensor detection distance	2 - 12 m
Operating temperature range	-20° +40°C

VIDEX VL-SPW11B 800W IP44 Black

INDEX: VL-SPW11B

Ingress protection	IP44
Housing material	PC

Dimensions

EAN	4820246488495
In the package	1 pc.
Height	66 mm
Outer box	20 pcs.
Width	55.5 mm
Depth	80 mm
Unit nett weight	98g

Signs marking goods

Packaging marking	CE, Utilization
-------------------	-----------------



VIDEX[®]

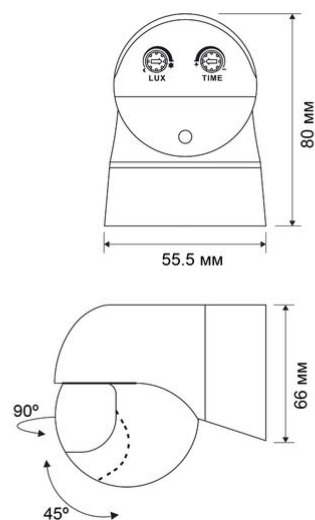
VIDEX VL-SPW11B 800W IP44 Black

INDEX: VL-SPW11B

VIDEX®

VIDEX VL-SPW11B 800W IP44 Black

INDEX: VL-SPW11B



We reserve the right to make technical changes. The data contained in this material is not legally binding.

Allegro opt Sp. z o.o., ul. Mierzeja Wiślana 11,
30-732 Krakow, Poland.

VIDEX[®]

VIDEX VL-SPW11B 800W IP44 Black

INDEX: VL-SPW11B

The product must be used indoors



The product must be used outdoors



Class of protection against electric shock II - provided not only by basic insulation but also by double or reinforced insulation



The product meets the requirements of EU directives



It is forbidden to throw away waste equipment marked with the symbol of a crossed-out bin with other waste



Free

— The product does not emit ultraviolet light



-20° +40°C

— Operating temperatures range



IP44

— Class of protection against dust and moisture. Protection against solid foreign objects with a diameter of 1 mm and greater and against water splashes