

# VIDEX®

## VIDEX 30W 5000K

### INDEX: VL-FSO-1005

## TECHNICAL CARD



LED Solar Floodlight



Pursuant to the provisions of the WEEE Act, it is forbidden to put waste equipment marked with the symbol of a crossed out bin together with other waste. The user, wishing to get rid of electronic and electrical equipment, is obliged to return it to a waste equipment collection point. There are no hazardous components in the equipment that have a particularly negative impact on the environment and human health.

# VIDEX®



## WARRANTY 2 YEARS

### NEUTRAL WHITE



Neutral White / Neutralny biały / Neutralni bila / Blanc neuter / Neutrálna biela / Neutraal wit / Semleges feher / Nevtralno bela / Neutralno bijela / Neutralweiß / Alb neutru / Neutralus balta / Neitrāls balta / Neutraalne valge / Нейтрално бяла / Bianco neutro.

### General parameters

**Light source replaceable** no

### Type of light source

**Dimmable** yes

**Technology** LED

### Electrical parameters

**Cable length** 1 m

**Electric shock protection class** III

**Displacement factor (cos φ1)** -

### Photometric parameters

**Luminous flux** 2800 Lm

## VIDEX 30W 5000K

### INDEX: VL-FSO-1005

<b>Correlated color temperature</b>	5000K (neutral white)
<b>Beam angle</b>	90°
<b>Color rendering index (CRI)</b>	Ra > 80
<b>On/Off cycles</b>	20000
<b>Lifetime (L70B50)</b>	30000 h

### Additional information

<b>Battery power</b>	96 Wh
<b>Vertical adjustment range</b>	180°
<b>Place of installation</b>	Flat surface, Wall
<b>Place of application</b>	outdoor
<b>Impact protection</b>	IK07
<b>Housing colour</b>	Gray
<b>Diffuser material</b>	Polycarbonate (PC)
<b>Minimum distance from the illuminated object</b>	0.5 m
<b>Motion sensor</b>	no
<b>Operating temperature range</b>	-20° +50°C
<b>Battery voltage</b>	3.2 V
<b>Battery type</b>	LiFePO4
<b>Battery capacity</b>	30000 mAh
<b>Battery replaceable</b>	no
<b>Mercury content</b>	Does not contain
<b>Ingress protection</b>	IP65
<b>Housing material</b>	Aluminum alloy

# VIDEX®

## VIDEX 30W 5000K

### INDEX: VL-FSO-1005

#### Dimensions

<b>EAN</b>	4820118298948
<b>In the package</b>	1 pc.
<b>Outer box</b>	3 pcs.
<b>Height</b>	282 mm
<b>Width</b>	250 mm
<b>Depth</b>	42 mm
<b>Unit nett weight</b>	4.3kg

#### Signs marking goods

**Packaging marking**

CE, Utilization



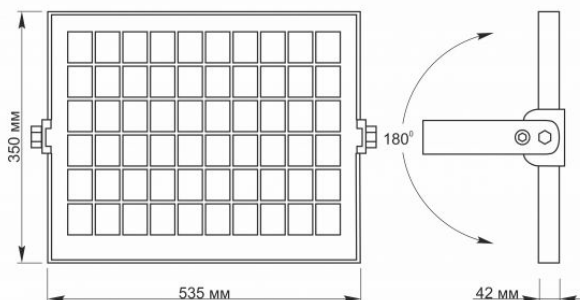
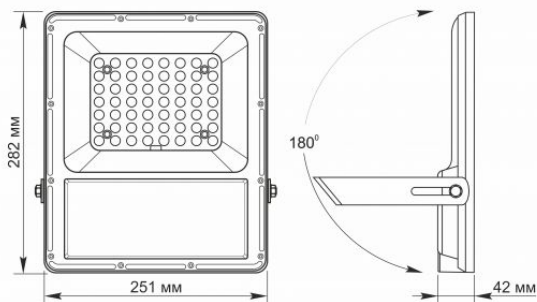
# VIDEX®

## VIDEX 30W 5000K

### INDEX: VL-FSO-1005

We reserve the right to make technical changes. The data contained in this material is not legally binding.

Allegro opt Sp. z o.o., ul. Mierzeja Wiślana 11,  
30-732 Krakow, Poland.



The product must be used outdoors



Class III protection against electric shock - ensured by supplying a specific product with a safe very low voltage (SELV) without the risk of creating a voltage above safe levels



Minimum distance from the illuminated object



The product meets the requirements of EU directives



It is forbidden to throw away waste equipment marked with the symbol of a crossed-out bin with other waste



Rated beam angle



Ra > 80 - color rendering index



Rated On/off cycles



The product withstands a medium impact (e.g., from a blunt object)



Nominal lifetime (hours)



The product supports brightness adjustment



Operating temperatures range



The product does not contain mercury



Class of protection against dust and moisture. The product has full protection against dust and water jets from all directions