

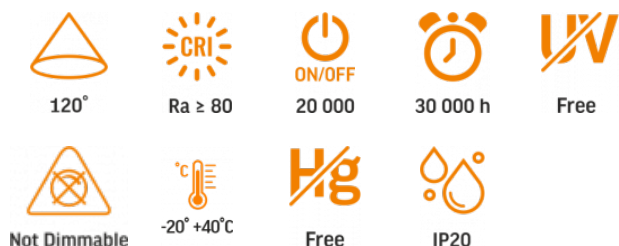
TECHNICAL CARD



LED Panel



VIDEX®

VIDEX-PANEL-LED-40W-P62-406W-CW
INDEX: VLE-P62-406W


WARRANTY 3 YEARS



Cold White / Zimna biel / Studena bila / Blanc froid / Studená biela / Koud wit / Hideg feher / Hladno bela / Hladno bijela / Kaltweiß / Alb rece / Šalta balta / Auksti balta / Kúlm valge.

General parameters

Light source or containing product	Containing product
Light source replaceable	by the producer
Control gear replaceable	by the producer

Type of light source

Energy efficiency class of the contained light source	D
Dimmable	no

Electrical parameters

Rated voltage, frequency	AC 175-265 V, 50/60 Hz
Rated current	300 mA
Input interface	Free wire ends

Electric shock protection class II

Photometric parameters

Useful luminous flux of the contained light source (Φuse)	5200 Lm
Correlated color temperature	6000K (cold white)
Beam angle	120°
Color rendering index (CRI)	Ra > 80
On/Off cycles	20000
Lifetime (L70B50)	30000 h
Useful luminous flux of the light source reference	in a sphere (360°)

Additional information

Place of installation	Armstrong ceiling, Ceiling
Place of application	indoor
Housing colour	White
Diffuser material	Plastic
Ultraviolet radiation	no
Operating temperature range	-20° +40°C
Mercury content	Does not contain
Ingress protection	IP20
Housing material	Aluminum

Dimensions

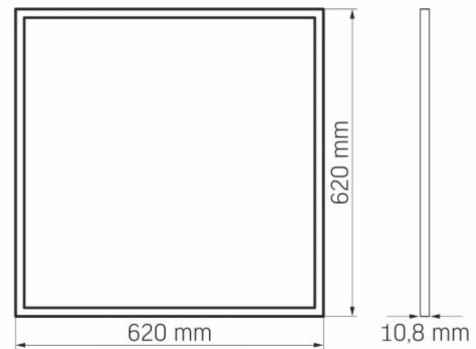
EAN	5904405540657
Height	620 mm

VIDEX®

VIDEX-PANEL-LED-40W-P62-406W-CW

INDEX: VLE-P62-406W

Outer box	5 pcs.
Width	620 mm
Depth	10.8 mm



We reserve the right to make technical changes. The data contained in this material is not legally binding.

Allegro opt Sp. z o.o., ul. Mierzeja Wiślana 11,
30-732 Krakow, Poland.

INDEX: VLE-P62-406W



The product must be used indoors



Class of protection against electric shock II - provided not only by basic insulation but also by double or reinforced insulation



— Rated beam angle

120°



— Ra > 80 - color rendering index



— Rated On/off cycles



— Nominal lifetime (hours)



— The product does not emit ultraviolet light



— The product is incompatible with light regulators

Not Dimmable



— Operating temperatures range



— The product does not contain mercury



— Class of protection against dust and moisture. Protection against solid objects larger than 12 mm; no protection against moisture