

TECHNICAL CARD



LED Dimmable Desk Lamp



Pursuant to the provisions of the WEEE Act, it is forbidden to put waste equipment marked with the symbol of a crossed out bin together with other waste. The user, wishing to get rid of electronic and electrical equipment, is obliged to return it to a waste equipment collection point. There are no hazardous components in the equipment that have a particularly negative impact on the environment and human health.



WARRANTY 2 YEARS

General parameters

Light source or containing product	Containing product
Light source replaceable	no
Control gear replaceable	yes

Type of light source

Energy efficiency class of the contained light source	F
Dimmable	non-step dimming
Directional (DLS) or non-directional (NDLS) light source	NDLS
Color-tunable light source	no
Mains (MLS) or non-mains (NMLS) light source	NMLS
Technology	LED

Electrical parameters

On-mode power (P _{on})	15 W
Rated voltage, frequency	AC 100-240 V, 50/60 Hz
Rated current	150 mA

VIDEX TF15B 20W 4100K Black

INDEX: VL-TF15B

Input interface	AC adapter
Electric shock protection class	II
Displacement factor (cos φ ₁)	-
Survival factor	1

Photometric parameters

Useful luminous flux of the contained light source (Φ _{use})	1450 Lm
Correlated color temperature	4100K (neutral white)
Beam angle	120°
Color rendering index (CRI)	R _a ≤ 98
On/Off cycles	100000
Lifetime (L70B50)	40000 h
Useful luminous flux of the light source reference	in a sphere (360°)
Chromaticity coordinates (x)	0.38
Chromaticity coordinates (y)	0.38
R9 colour rendering index value	>0
The lumen maintenance factor	≥96%
Flicker metric (P _{st} LM)	-
Stroboscopic effect metric (SVM)	-
Colour consistency in MacAdam ellipses (SDCM)	<6 (4100K)

Additional information

Place of installation	Desk
Place of application	indoor
Housing colour	Black

VIDEX®

VIDEX TF15B 20W 4100K Black

INDEX: VL-TF15B

Ultraviolet radiation	no
Operating temperature range	-10° +40°C
Mercury content	Does not contain
Ingress protection	IP20
Housing material	Aluminum, PC, ABS, Acrylic

Dimensions

EAN	4820246480659
In the package	1 pc.
Height	601 mm
Outer box	4 pcs.
Width	162 mm
Depth	162 mm
Unit nett weight	1500g

Signs marking goods

Packaging marking	CE, Utilization
--------------------------	-----------------



VIDEX®

VIDEX TF15B 20W 4100K Black

INDEX: VL-TF15B

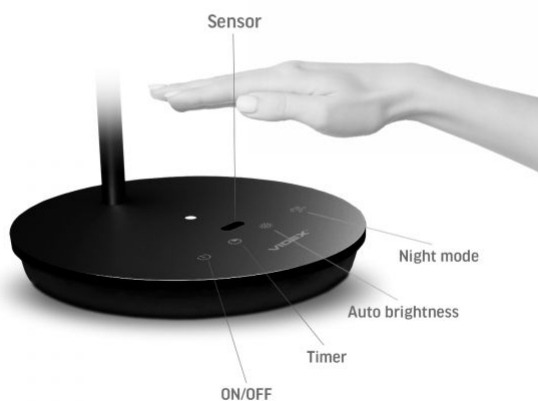
VIDEX®

VIDEX TF15B 20W 4100K Black

INDEX: VL-TF15B



Built-in touch sensor for quick gesture control and automatic brightness detection



The low reflection index of the lamp light reduces discomfort caused by glare from illuminated objects

UGR < 19

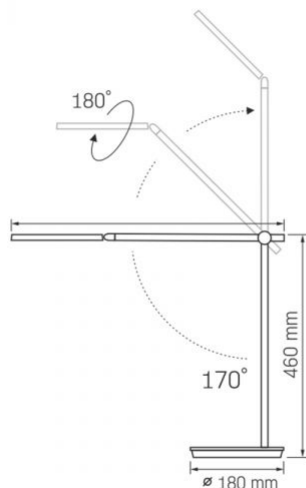


A high color rendering index allows the lamp to transmit the most natural colors of objects

RA ≤ 98



INDEX: VL-TF15B



We reserve the right to make technical changes. The data contained in this material is not legally binding.

Allegro opt Sp. z o.o., ul. Mierzeja Wiślana 11,
30-732 Krakow, Poland.



The product must be used indoors



Class of protection against electric shock II - provided not only by basic insulation but also by double or reinforced insulation



The product meets the requirements of EU directives



It is forbidden to throw away waste equipment marked with the symbol of a crossed-out bin with other waste



120°

Rated beam angle



ON/OFF
100 000

Rated On/off cycles



40 000 h

Nominal lifetime (hours)



Free

The product does not emit ultraviolet light



Dimmable

The product has smooth brightness adjustment



-10° +40°C

Operating temperatures range



CCT 4100K

Colour consistency in MacAdam ellipses (SDCM)



Free

The product does not contain mercury



IP20

Class of protection against dust and moisture. Protection against solid objects larger than 12 mm; no protection against moisture