

## TECHNICAL CARD



LED Bulkhead Light



Pursuant to the provisions of the WEEE Act, it is forbidden to put waste equipment marked with the symbol of a crossed out bin together with other waste. The user, wishing to get rid of electronic and electrical equipment, is obliged to return it to a waste equipment collection point. There are no hazardous components in the equipment that have a particularly negative impact on the environment and human health.

# VIDEX®



## WARRANTY 2 YEARS



### NEUTRAL WHITE



Neutral White / Neutralny biały / Neutralni bila / Blanc neuter / Neutrálna biela / Neutraal wit / Semleges feher / Nevtralno bela / Neutralno bijela / Neutralweiß / Alb neutru / Neutralus balta / Neitrāls balta / Neutraalne valge / Нейтрално бяла / Bianco neutro.

## General parameters

Light source or containing product	Containing product
Light source replaceable	by the producer
Type of light source	
Energy efficiency class of the contained light source	F
Dimmable	no
Directional (DLS) or non-directional (NDLS) light source	NDLS
Connected light source (cls)	no
Color-tunable light source	no

## VIDEX-BULKHEAD-LED-VIKA-BLACK-15W-NW

### INDEX: VLE-BHFS-155B

Mains (MLS) or non-mains (NMLS) light source	MLS
High luminance light source	No
Anti-glare shield	No
Technology	LED

## Electrical parameters

On-mode power (Pon)	15 W
Rated voltage, frequency	AC 220-240 V, 50/60 Hz
Rated current	130 mA
Input interface	Terminal block
Electric shock protection class	II
Displacement factor (cos φ1)	0.7
Survival factor	1
Energy consumption in on-mode of the light source (kWh/1000h)	15

## Photometric parameters

Useful luminous flux of the contained light source (Φuse)	1550 Lm
Correlated color temperature	5000K (neutral white)
Beam angle	120°
Color rendering index (CRI)	Ra > 80
On/Off cycles	20000
Lifetime (L70B50)	25000 h
Useful luminous flux of the light source reference	in a sphere (360°)
Chromaticity coordinates (x)	0.35

# VIDEX®

## VIDEX-BULKHEAD-LED-VIKA-BLACK-15W-NW

### INDEX: VLE-BHFS-155B

Chromaticity coordinates (y)	0.36
R9 colour rendering index value	>0
The lumen maintenance factor	≥95.8%
Flicker metric (Pst LM)	≤1
Stroboscopic effect metric (SVM)	≤0.4
Colour consistency in MacAdam ellipses (SDCM)	<6 (5000K)
CRI Min	Ra 80
CRI Max	Ra 88

### Additional information

Place of installation	Ceiling, Flat surface, Wall
Place of application	indoor, outdoor
Impact protection	IK07
Housing colour	Black
Diffuser material	Polycarbonate (PC)
Minimum distance from the illuminated object	0.5 m
Ultraviolet radiation	no
Operating temperature range	-20° +40°C
Suitable for installation in normally flammable surfaces	yes
Mercury content	Does not contain
Ingress protection	IP65
Housing material	Plastic

### Dimensions

EAN	5904405542576
-----	---------------

In the package	1 pc.
Height	190 mm
Outer box	24 pcs.
Width	190 mm
Depth	42 mm
Unit nett weight	360g

### Signs marking goods

#### Packaging marking

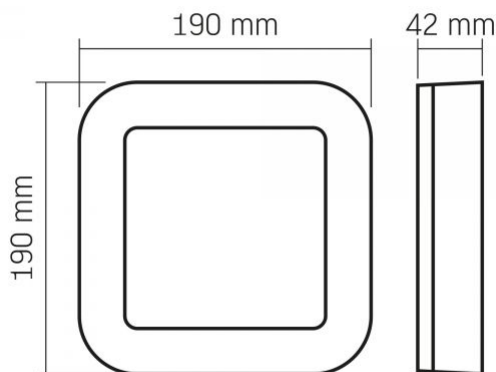
Recycling of waste, CE, Utilization



INDEX: VLE-BHFS-155B








## INDEX: VLE-BHFS-155B



We reserve the right to make technical changes. The data contained in this material is not legally binding.

Allegro opt Sp. z o.o., ul. Mierzeja Wiślana 11,  
30-732 Krakow, Poland.

	The product must be used indoors
	The product must be used outdoors
	Class of protection against electric shock II - provided not only by basic insulation but also by double or reinforced insulation
	Minimum distance from the illuminated object
	The product can be installed and used in/on normally flammable surfaces
	Waste recycling after the end of the product's service life
	The product meets the requirements of EU directives
	It is forbidden to throw away waste equipment marked with the symbol of a crossed-out bin with other waste
	— Rated beam angle
	— Ra > 80 - color rendering index
	— Rated On/off cycles
	— The product withstands a medium impact (e.g., from a blunt object)
	— Nominal lifetime (hours)
	— The product does not emit ultraviolet light
	— The product is incompatible with light regulators
	— Operating temperatures range
	— The flickering of the light does not exceed the permissible level
	— The product has minimal flickering, which should not cause discomfort or danger
	— Colour consistency in MacAdam ellipses (SDCM)
	— The product does not contain mercury
	— Class of protection against dust and moisture. The product has full protection against dust and water jets from all directions