

## TECHNICAL CARD



Ceiling spotlight luminaire



# VIDEX®



IK07



-25° +50°C



Free



IP20

## WARRANTY 2 YEARS

### General parameters

**Light source replaceable** end user

### Electrical parameters

**Rated voltage, frequency** AC 220-240 V, 50/60 Hz

**Input interface** Terminal block

**Electric shock protection class** I

### Additional information

**Place of installation** Ceiling

**Place of application** indoor

**Impact protection** IK07

**Housing colour** Black

**Operating temperature range** -25° +50°C

**Mercury content** Does not contain

**Ingress protection** IP20

**Housing material** Iron alloy

### Dimensions

**EAN** 4820246485869

**Height** 70 mm

## VIDEX for GX53 lamp VL-SPF25A-B

### INDEX: VL-SPF25A-B

**Depth** 80 mm

**Width** 80 mm

**In the package** 1 pc.

**Outer box** 50 pcs.

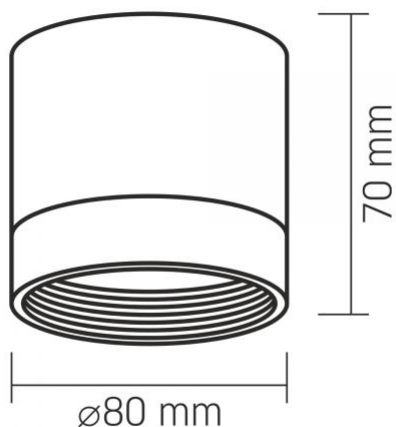
**Unit nett weight** 150g

### Signs marking goods

**Packaging marking** CE, Utilization



### INDEX: VL-SPF25A-B



We reserve the right to make technical changes. The data contained in this material is not legally binding.

Allegro opt Sp. z o.o., ul. Mierzeja Wiślana 11,  
30-732 Krakow, Poland.



The product must be used indoors



Protection against electric shock class I. A product in which the means of protection against electric shock, in addition to the main insulation, is an additional protective circuit connected to the grounding of the power supply network



The product meets the requirements of EU directives



It is forbidden to throw away waste equipment marked with the symbol of a crossed-out bin with other waste



The product withstands a medium impact (e.g., from a blunt object)



Operating temperatures range



The product does not contain mercury



Class of protection against dust and moisture. Protection against solid objects larger than 12 mm; no protection against moisture