

TECHNICAL CARD



Wall and ceiling spotlight luminaire



VIDEX®



IK07



-20° +40°C



Free



IP20

WARRANTY 2 YEARS

The body of the lamp is made of aluminum - a light and durable metal that is not subject to corrosion. The surface of the case is covered with matte paint with a sandy texture, resistant to small scratches. Depending on the type of lamps used, this lamp can be used both for general lighting of rooms and for accent lighting of individual zones in the interior.

General parameters

Light source replaceable	end user
---------------------------------	----------

Electrical parameters

Rated voltage, frequency	AC 220-240 V, 50/60 Hz
---------------------------------	------------------------

Input interface	Terminal block
------------------------	----------------

Electric shock protection class	I
--	---

Additional information

Place of installation	Ceiling, Wall
------------------------------	---------------

Place of application	indoor
-----------------------------	--------

Impact protection	IK07
--------------------------	------

Housing colour	Black
-----------------------	-------

Operating temperature range	-20° +40°C
------------------------------------	------------

Mercury content	Does not contain
------------------------	------------------

VIDEX-GU10-MARTIN-BLACK

INDEX: VL-SPF05B-B

Ingress protection	IP20
---------------------------	------

Housing material	Aluminum
-------------------------	----------

Dimensions

EAN	4820246482165
------------	---------------

Outer box	20 pcs.
------------------	---------

Height	100 mm
---------------	--------

Width	55 mm
--------------	-------

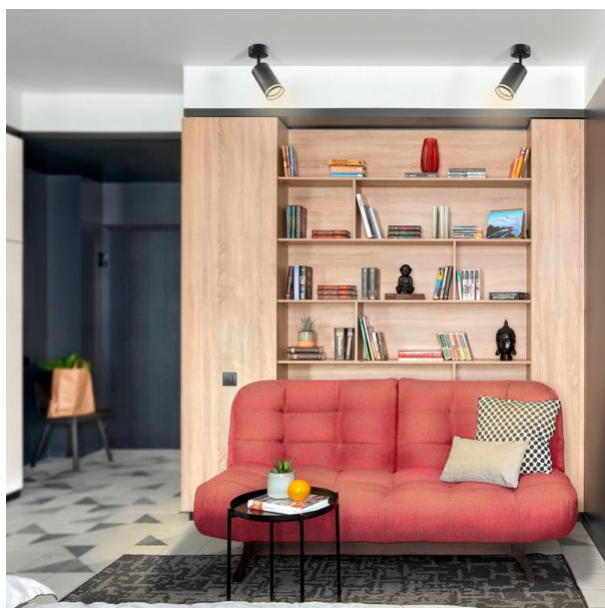
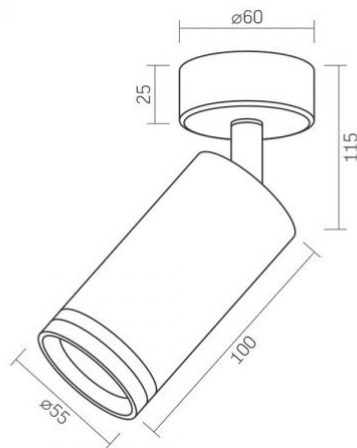
Depth	55 mm
--------------	-------



VIDEX®

VIDEX-GU10-MARTIN-BLACK

INDEX: VL-SPF05B-B



We reserve the right to make technical changes. The data contained in this material is not legally binding.

Allegro opt Sp. z o.o., ul. Mierzeja Wiślana 11,
30-732 Krakow, Poland.



The product must be used indoors



Protection against electric shock class I. A product in which the means of protection against electric shock, in addition to the main insulation, is an additional protective circuit connected to the grounding of the power supply network



IK07

— The product withstands a medium impact (e.g., from a blunt object)



-20° +40°C

— Operating temperatures range



Free

— The product does not contain mercury



IP20

— Class of protection against dust and moisture. Protection against solid objects larger than 12 mm; no protection against moisture