

## TECHNICAL CARD



Wall-mounted spot luminaire



Pursuant to the provisions of the WEEE Act, it is forbidden to put waste equipment marked with the symbol of a crossed out bin together with other waste. The user, wishing to get rid of electronic and electrical equipment, is obliged to return it to a waste equipment collection point. There are no hazardous components in the equipment that have a particularly negative impact on the environment and human health.



Ra ≥ 80



20 000



IK07



40 000 h



Not Dimmable



-25° +50°C



Free



IP20

## WARRANTY 2 YEARS

The decorative wall luminaire is intended for installation near sofas, armchairs and beds. With a mechanical switch, it's great for reading and for bedside lighting. The body of the lamp is made of aluminum - a light and durable metal that is not subject to corrosion. The surface of the case is covered with matte paint with a sandy texture, resistant to small scratches.

### General parameters

<b>Light source or containing product</b>	Containing product
<b>Light source replaceable</b>	end user

### Type of light source

<b>Energy efficiency class of the contained light source</b>	G
<b>Dimmable</b>	no
<b>Technology</b>	LED

### Electrical parameters

<b>On-mode power (Pon)</b>	5 W (back light)
----------------------------	------------------

## VIDEX VL-SPF24E-W

### INDEX: VL-SPF24E-W

<b>Rated voltage, frequency</b>	AC 220-240 V, 50/60 Hz, AC 185-240 V, 50/60 Hz (back light)
<b>Input interface</b>	Terminal block
<b>Electric shock protection class</b>	I
<b>Energy consumption in on-mode of the light source (kWh/1000h)</b>	5

### Photometric parameters

<b>Useful luminous flux of the contained light source (Φuse)</b>	380 Lm (backlight)
<b>Correlated color temperature</b>	2700K (back light)
<b>Color rendering index (CRI)</b>	Ra > 80
<b>On/Off cycles</b>	20000
<b>Lifetime (L70B50)</b>	40000 h
<b>Useful luminous flux of the light source reference</b>	in a sphere (360°)

### Additional information

<b>Place of installation</b>	Wall
<b>Place of application</b>	indoor
<b>Impact protection</b>	IK07
<b>Housing colour</b>	White
<b>Operating temperature range</b>	-25° +50°C
<b>Mercury content</b>	Does not contain
<b>Ingress protection</b>	IP20
<b>Housing material</b>	Aluminum

# VIDEX®

## VIDEX VL-SPF24E-W

### INDEX: VL-SPF24E-W

#### Dimensions

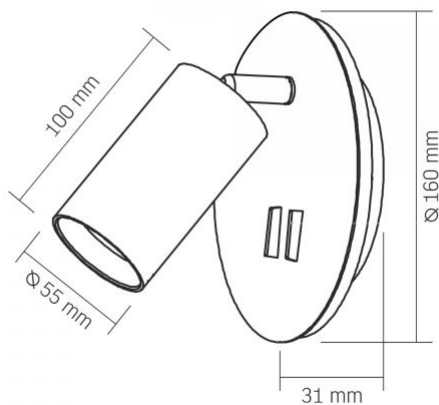
<b>EAN</b>	4820246485852
<b>In the package</b>	1 pc.
<b>Outer box</b>	20 pcs.
<b>Height</b>	160 mm, 100 mm, 110 mm
<b>Width</b>	55 mm, 160 mm
<b>Depth</b>	55 mm, 31 mm
<b>Unit nett weight</b>	500g

#### Signs marking goods

**Packaging marking** CE, Utilization



### INDEX: VL-SPF24E-W



We reserve the right to make technical changes. The data contained in this material is not legally binding.

Allegro opt Sp. z o.o., ul. Mierzeja Wiślana 11,  
30-732 Krakow, Poland.



The product must be used indoors



Protection against electric shock class I. A product in which the means of protection against electric shock, in addition to the main insulation, is an additional protective circuit connected to the grounding of the power supply network



The product meets the requirements of EU directives



It is forbidden to throw away waste equipment marked with the symbol of a crossed-out bin with other waste



Ra > 80

— Ra > 80 - color rendering index



ON/OFF  
20 000

— Rated On/off cycles



IK07

— The product withstands a medium impact (e.g., from a blunt object)



40 000 h

— Nominal lifetime (hours)



Not Dimmable

— The product is incompatible with light regulators



-25° +50°C

— Operating temperatures range



Hg  
Free

— The product does not contain mercury



IP20

— Class of protection against dust and moisture. Protection against solid objects larger than 12 mm; no protection against moisture