

TECHNICAL CARD



Wall-mounted spot luminaire



Pursuant to the provisions of the WEEE Act, it is forbidden to put waste equipment marked with the symbol of a crossed out bin together with other waste. The user, wishing to get rid of electronic and electrical equipment, is obliged to return it to a waste equipment collection point. There are no hazardous components in the equipment that have a particularly negative impact on the environment and human health.



Ra ≥ 80

ON/OFF
20 000

IK07



40 000 h



Not Dimmable



-25° +50°C



Free



IP20

WARRANTY 2 YEARS

The decorative wall luminaire is intended for installation near sofas, armchairs and beds. With a mechanical switch, it's great for reading and for bedside lighting. The body of the lamp is made of aluminum - a light and durable metal that is not subject to corrosion. The surface of the case is covered with matte paint with a sandy texture, resistant to small scratches.

General parameters

Light source or containing product	Containing product
Light source replaceable	end user

Type of light source

Energy efficiency class of the contained light source	G
Dimmable	no
Technology	LED

Electrical parameters

On-mode power (Pon)	5 W (back light)
----------------------------	------------------

VIDEX VL-SPF24E-B

INDEX: VL-SPF24E-B

Rated voltage, frequency	AC 220-240 V, 50/60 Hz, AC 185-240 V, 50/60 Hz (back light)
Input interface	Terminal block
Electric shock protection class	I
Energy consumption in on-mode of the light source (kWh/1000h)	5

Photometric parameters

Useful luminous flux of the contained light source (Φuse)	380 Lm (backlight)
Correlated color temperature	2700K (back light)
Color rendering index (CRI)	Ra > 80
On/Off cycles	20000
Lifetime (L70B50)	40000 h
Useful luminous flux of the light source reference	in a sphere (360°)

Additional information

Place of installation	Wall
Place of application	indoor
Impact protection	IK07
Housing colour	Black
Operating temperature range	-25° +50°C
Mercury content	Does not contain
Ingress protection	IP20
Housing material	Aluminum

VIDEX®

VIDEX VL-SPF24E-B

INDEX: VL-SPF24E-B

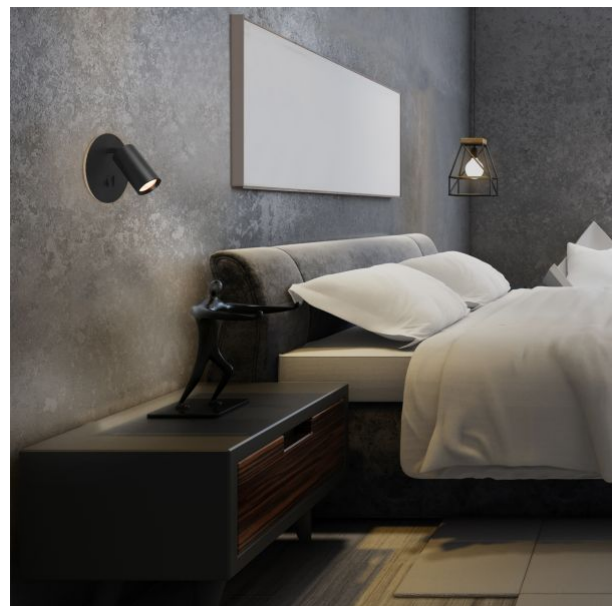
Dimensions

EAN	4820246485845
In the package	1 pc.
Outer box	20 pcs.
Height	160 mm, 100 mm, 110 mm
Width	55 mm, 160 mm
Depth	55 mm, 31 mm
Unit nett weight	500g

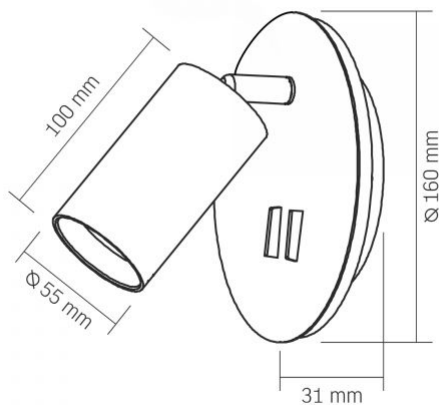
Signs marking goods

Packaging marking

CE, Utilization



INDEX: VL-SPF24E-B



We reserve the right to make technical changes. The data contained in this material is not legally binding.

Allegro opt Sp. z o.o., ul. Mierzeja Wiślana 11,
30-732 Krakow, Poland.



The product must be used indoors



Protection against electric shock class I. A product in which the means of protection against electric shock, in addition to the main insulation, is an additional protective circuit connected to the grounding of the power supply network



The product meets the requirements of EU directives



It is forbidden to throw away waste equipment marked with the symbol of a crossed-out bin with other waste



Ra > 80

— Ra > 80 - color rendering index



ON/OFF
20 000

— Rated On/off cycles



IK07

— The product withstands a medium impact (e.g., from a blunt object)



40 000 h

— Nominal lifetime (hours)



Not Dimmable

— The product is incompatible with light regulators



-25°+50°C

— Operating temperatures range



Hg
Free

— The product does not contain mercury



IP20

— Class of protection against dust and moisture. Protection against solid objects larger than 12 mm; no protection against moisture