

## TECHNICAL CARD



Spot track luminaire



# VIDEX®



IK07



-20° +40°C



Free



IP20

## WARRANTY 2 YEARS

The body of the lamp is made of aluminum - a light and durable metal that is not subject to corrosion. The surface of the case is covered with matte paint with a sandy texture, resistant to small scratches. Depending on the type of lamps used, this lamp can be used both for general lighting of rooms and for accent lighting of individual zones in the interior.

### General parameters

<b>Light source replaceable</b>	end user
---------------------------------	----------

### Electrical parameters

<b>Rated voltage, frequency</b>	AC 220-240 V, 50/60 Hz
---------------------------------	------------------------

<b>Input interface</b>	2 Wires Busbar
------------------------	-------------------

<b>Electric shock protection class</b>	I
--	---

### Additional information

<b>Place of installation</b>	Busbar track
------------------------------	--------------

<b>Place of application</b>	indoor
-----------------------------	--------

<b>Impact protection</b>	IK07
--------------------------	------

<b>Housing colour</b>	White
-----------------------	-------

<b>Operating temperature range</b>	-20° +40°C
------------------------------------	------------

<b>Mercury content</b>	Does not contain
------------------------	------------------

## VIDEX-GU10-LONZO-WHITE

### INDEX: VL-SPF06C-W

<b>Ingress protection</b>	IP20
---------------------------	------

<b>Housing material</b>	Aluminum
-------------------------	----------

### Dimensions

<b>EAN</b>	4820246482189
------------	---------------

<b>Height</b>	100 mm
---------------	--------

<b>Width</b>	55 mm
--------------	-------

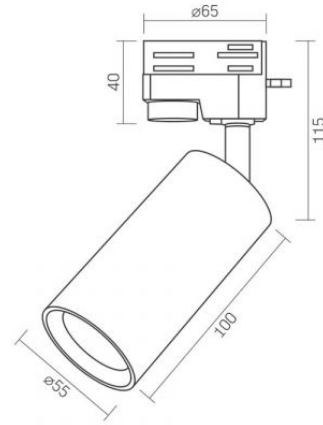
<b>Depth</b>	55 mm
--------------	-------

<b>Outer box</b>	20 pcs.
------------------	---------



**VIDEX**<sup>®</sup>

VIDEX-GU10-LONZO-WHITE

**INDEX: VL-SPF06C-W**

We reserve the right to make technical changes. The data contained in this material is not legally binding.

Allegro opt Sp. z o.o., ul. Mierzeja Wiślana 11,  
30-732 Krakow, Poland.