

TECHNICAL CARD



Spot track luminaire



VIDEX®



IK07



-20° +40°C



Free



IP20

WARRANTY 2 YEARS

The body of the lamp is made of aluminum - a light and durable metal that is not subject to corrosion. The surface of the case is covered with matte paint with a sandy texture, resistant to small scratches. Depending on the type of lamps used, this lamp can be used both for general lighting of rooms and for accent lighting of individual zones in the interior.

General parameters

Light source replaceable	end user
--------------------------	----------

Electrical parameters

Rated voltage, frequency	AC 220-240 V, 50/60 Hz
--------------------------	------------------------

Input interface	2 Wires Busbar
-----------------	-------------------

Electric shock protection class	I
---------------------------------	---

Additional information

Place of installation	Busbar track
-----------------------	--------------

Place of application	indoor
----------------------	--------

Housing colour	Black
----------------	-------

Impact protection	IK07
-------------------	------

Operating temperature range	-20° +40°C
-----------------------------	------------

Mercury content	Does not contain
-----------------	------------------

VIDEX-GU10-LONZO-BLACK

INDEX: VL-SPF06C-B

Ingress protection	IP20
--------------------	------

Housing material	Aluminum
------------------	----------

Dimensions

EAN	4820246482097
-----	---------------

Height	100 mm
--------	--------

Width	55 mm
-------	-------

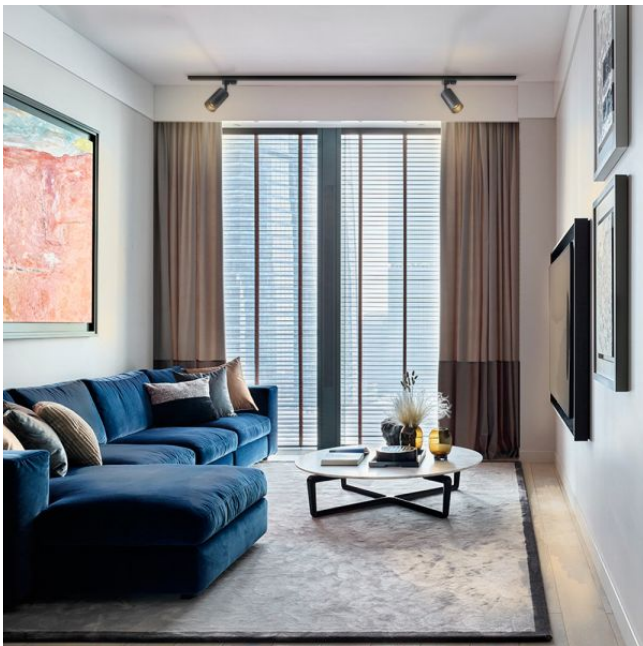
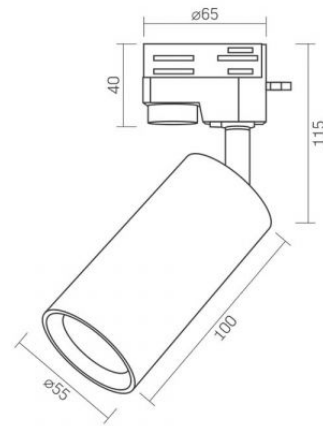
Depth	55 mm
-------	-------

Outer box	20 pcs.
-----------	---------



VIDEX[®]

VIDEX-GU10-LONZO-BLACK

INDEX: VL-SPF06C-B

We reserve the right to make technical changes. The data contained in this material is not legally binding.

Allegro opt Sp. z o.o., ul. Mierzeja Wiślana 11,
30-732 Krakow, Poland.