

TECHNICAL CARD



Wall-mounted spot luminaire



Pursuant to the provisions of the WEEE Act, it is forbidden to put waste equipment marked with the symbol of a crossed out bin together with other waste. The user, wishing to get rid of electronic and electrical equipment, is obliged to return it to a waste equipment collection point. There are no hazardous components in the equipment that have a particularly negative impact on the environment and human health.

VIDEX®



IK07



-20° +40°C



Free



IP20

WARRANTY 2 YEARS

The decorative wall luminaire is intended for installation near sofas, armchairs and beds. With a mechanical switch, it's great for reading and for bedside lighting. The body of the lamp is made of aluminum - a light and durable metal that is not subject to corrosion. The surface of the case is covered with matte paint with a sandy texture, resistant to small scratches.

General parameters

Light source replaceable	end user
---------------------------------	----------

Electrical parameters

Rated voltage, frequency	AC 220-240 V, 50/60 Hz
---------------------------------	------------------------

Input interface	Terminal block
------------------------	----------------

Electric shock protection class	I
--	---

Additional information

Place of installation	Wall
------------------------------	------

Place of application	indoor
-----------------------------	--------

Impact protection	IK07
--------------------------	------

Housing colour	Black
-----------------------	-------

Operating temperature range	-20° +40°C
------------------------------------	------------

Mercury content	Does not contain
------------------------	------------------

VIDEX-GU10-KENT-BLACK

INDEX: VL-SPF05E-B

Ingress protection	IP20
Housing material	Aluminum

Dimensions

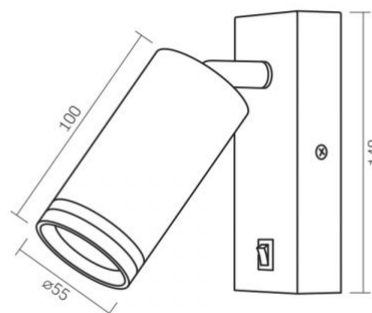
EAN	4820246483032
Height	100 mm
Depth	55 mm
Width	55 mm
Outer box	20 pcs.



VIDEX®

VIDEX-GU10-KENT-BLACK

INDEX: VL-SPF05E-B



We reserve the right to make technical changes. The data contained in this material is not legally binding.

Allegro opt Sp. z o.o., ul. Mierzeja Wiślana 11,
30-732 Krakow, Poland.



The product must be used indoors



Protection against electric shock class I. A product in which the means of protection against electric shock, in addition to the main insulation, is an additional protective circuit connected to the grounding of the power supply network



IK07

— The product withstands a medium impact (e.g., from a blunt object)



-20° +40°C

— Operating temperatures range



Free

— The product does not contain mercury



IP20

— Class of protection against dust and moisture. Protection against solid objects larger than 12 mm; no protection against moisture