

## TECHNICAL CARD



Surface-mounted double Schuko socket IP20  
mate black



IP20

## WARRANTY 2 YEARS

VIDEX BINERA sockets allow you to create an integrated structure from multiple units of fittings, addressing any ergonomic and aesthetic challenges. The VIDEX BINERA sockets are a perfect design, the materials of which ensure a long service life, guaranteeing safety. The versatile and perfect design will add sophistication and comfort to any room.

### Additional information

<b>Ingress protection</b>	IP20
<b>Housing material</b>	Iron alloy, Steel, PC, Polyamide, Bronze

### Dimensions

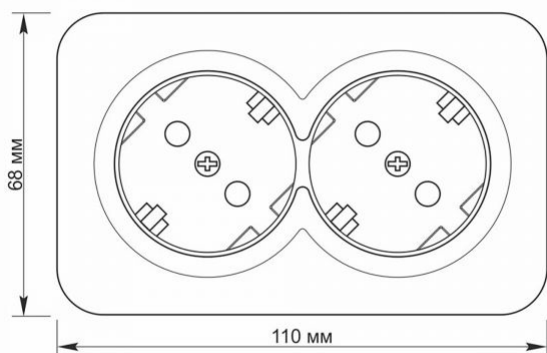
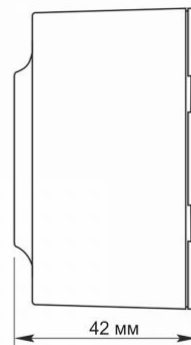
<b>EAN</b>	4820246482547
<b>In the package</b>	1 pc.
<b>Height</b>	110 mm
<b>Outer box</b>	70 pcs.
<b>Width</b>	68 mm
<b>Depth</b>	42 mm

### Signs marking goods

<b>Packaging marking</b>	CE, Utilization
--------------------------	-----------------



INDEX: VF-BNS22G-BG



We reserve the right to make technical changes. The data contained in this material is not legally binding.

Allegro opt Sp. z o.o., ul. Mierzeja Wiślana 11,  
30-732 Krakow, Poland.



The product meets the requirements of EU directives



It is forbidden to throw away waste equipment marked with the symbol of a crossed-out bin with other waste



— Class of protection against dust and moisture. Protection against solid objects larger than 12 mm; no protection against moisture