

TECHNICAL CARD



Spot track luminaire



VIDEX®



IK07



-25° +50°C



Free



IP20

WARRANTY 2 YEARS

General parameters

Light source replaceable end user

Electrical parameters

Rated voltage, frequency AC 220-240 V, 50/60 Hz

Input interface 2 Wires
Busbar

Electric shock protection class II

Additional information

Place of installation Busbar track

Place of application indoor

Impact protection IK07

Housing colour Black

Operating temperature range -25° +50°C

Mercury content Does not contain

Ingress protection IP20

Housing material Ceramics,
Aluminium

Dimensions

EAN 4820246484695

VIDEX for GX53 lamp VL-SPF17C-B

INDEX: VL-SPF17C-B

In the package 1 pc.

Height 70 mm

Outer box 50 pcs.

Width 82 mm

Depth 82 mm

Unit nett weight 290g

Signs marking goods

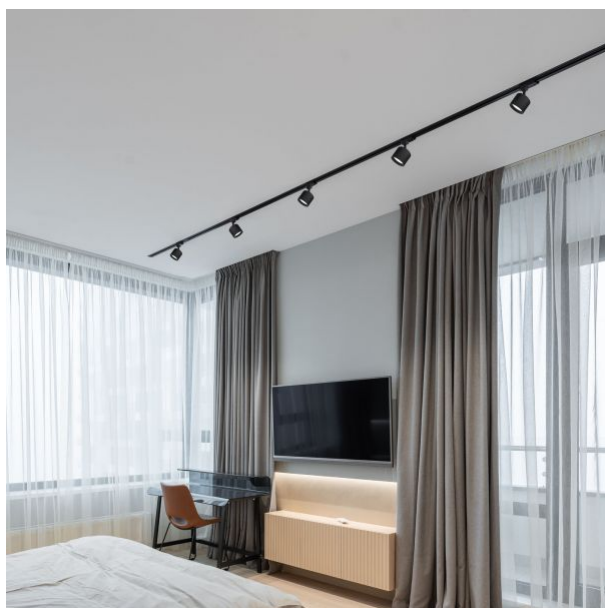
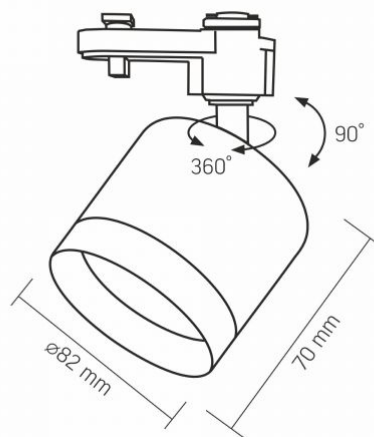
Packaging marking CE, Utilization



VIDEX®

VIDEX for GX53 lamp VL-SPF17C-B

INDEX: VL-SPF17C-B



We reserve the right to make technical changes. The data contained in this material is not legally binding.

Allegro opt Sp. z o.o., ul. Mierzeja Wiślana 11,
30-732 Krakow, Poland.



The product must be used indoors



Class of protection against electric shock II - provided not only by basic insulation but also by double or reinforced insulation



The product meets the requirements of EU directives



It is forbidden to throw away waste equipment marked with the symbol of a crossed-out bin with other waste



The product withstands a medium impact (e.g., from a blunt object)



Operating temperatures range



The product does not contain mercury



Class of protection against dust and moisture. Protection against solid objects larger than 12 mm; no protection against moisture

Date: 24.06.2026