

TECHNICAL CARD



Single schuko socket with grounding with
USB+USB-C white

VIDEX®



IP20

WARRANTY 3 YEARS

Socket with USB ports VIDEX BINERA is a modern, stylish and perfect design, the materials of which ensure a long service life, guaranteeing safety. The versatile and perfect design will add sophistication and comfort to any room.

Voltage that can be provided by the USB outputs:

1xUSB-A: DC 5V, 2.4A;

1xUSB-C: DC 5B, 2.4A.

USB-A and USB-C: DC 5B, 2.4A - total output power when both ports are used simultaneously.

The product is designed to charge multiple mobile devices simultaneously from USB ports and connecting AC devices to a power outlet.

Additional information

Ingress protection	IP20
Housing material	PC, Polyamide, Phosphor bronze
Dimensions	
EAN	4820246485302
Height	86 mm

VIDEX BINERA

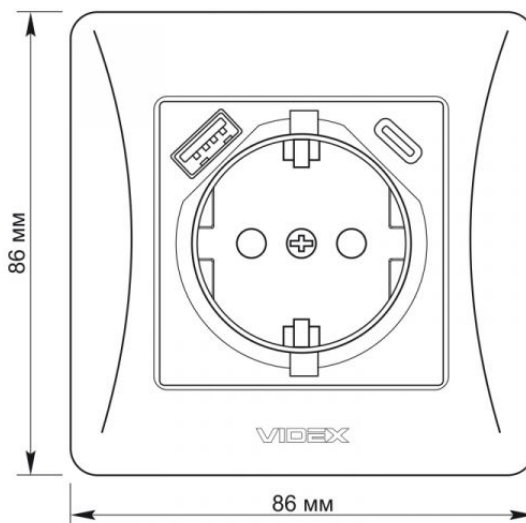
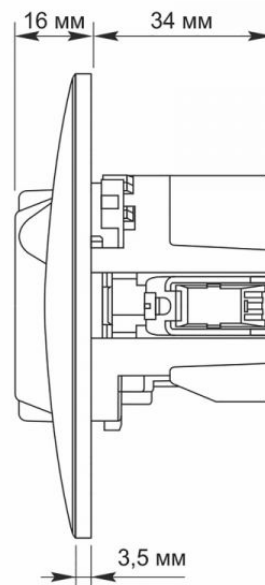
INDEX: VF-BNSK1GUC-W

Width	86 mm
In the package	1 pc.
Outer box	120 pcs.

Signs marking goods

Packaging marking	CE, Utilization
--------------------------	-----------------



INDEX: VF-BNSK1GUC-W

We reserve the right to make technical changes. The data contained in this material is not legally binding.

Allegro opt Sp. z o.o., ul. Mierzeja Wiślana 11,
30-732 Krakow, Poland.