

INDEX: VL-SPF09R-B

TECHNICAL CARD



Pursuant to the provisions of the WEEE Act, it is forbidden to put waste equipment marked with the symbol of a crossed out bin together with other waste. The user, wishing to get rid of electronic and electrical equipment, is obliged to return it to a waste equipment collection point. There are no hazardous components in the equipment that have a particularly negative impact on the environment and human health.

VIDEX®



IK07



-25° +50°C



Free



IP20

WARRANTY 2 YEARS

General parameters

Light source replaceable end user

Electrical parameters

Rated voltage, frequency AC 220-240 V, 50/60 Hz

Input interface Free wire ends

Additional information

Place of installation Ceiling, Recessed

Place of application indoor

Housing colour Black

Impact protection IK07

Operating temperature range -25° +50°C

Mercury content Does not contain

Ingress protection IP20

Housing material Aluminum

Dimensions

EAN 4820246482899

Height 46 mm

Recessed spotlight luminaire VL-SPF09R-B

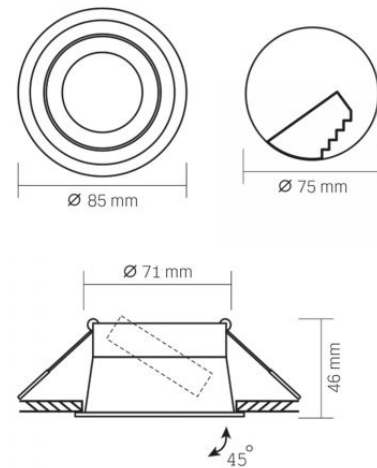
INDEX: VL-SPF09R-B

Width 85 mm

Depth 85 mm

Outer box 50 pcs.



INDEX: VL-SPF09R-B

We reserve the right to make technical changes. The data contained in this material is not legally binding.

Allegro opt Sp. z o.o., ul. Mierzeja Wiślana 11,
30-732 Krakow, Poland.