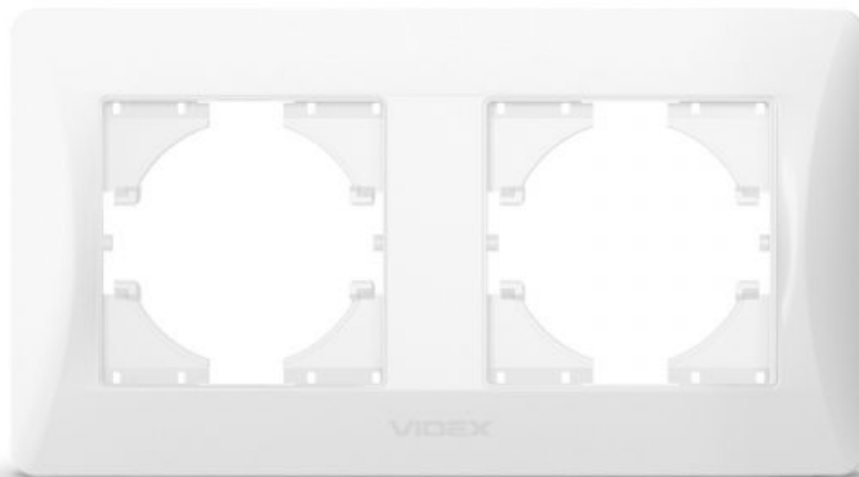


TECHNICAL CARD



Frame 2 gang horizontal white





IP20

WARRANTY 3 YEARS

VIDEX BINERA frames allow you to create an integral structure from several fittings, solving any tasks of ergonomics and aesthetics. The VIDEX BINERA frame is a perfect construction whose materials provide a long service life and are able to withstand critical temperatures, guaranteeing safety. The versatile and perfect design will add sophistication and comfort to any room.

Additional information

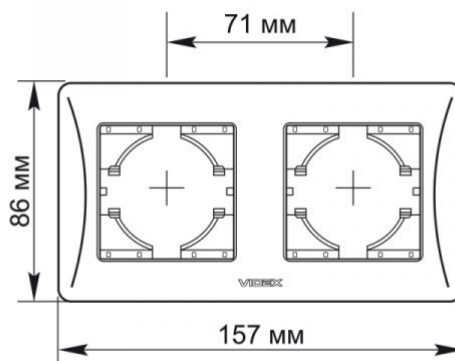
Ingress protection IP20

Dimensions

EAN	4820118295251
In the package	1 pc.
Outer box	96 pcs.
Height	157 mm
Width	86 mm
Depth	9 mm

Signs marking goods

Packaging marking Utilization



We reserve the right to make technical changes. The data contained in this material is not legally binding.

Allegro opt Sp. z o.o., ul. Mierzeja Wiślana 11,
30-732 Krakow, Poland.



It is forbidden to throw away waste equipment marked with the symbol of a crossed-out bin with other waste



— Class of protection against dust and moisture. Protection against solid objects larger than 12 mm; no protection against moisture

