

TECHNICAL CARD



Blind cover white





IP20

Blind cover VIDEX BINERA (VF-BNC-W) is designed to close unused spaces in electrical frames, protecting them from dust and damage. Additionally, installing this product provides a neat and finished look to the interior. Made of polycarbonate, polyamide, steel, and iron, the cover is resistant to mechanical impacts and suitable for long-term use. The product has an integrated mounting type.

Additional information

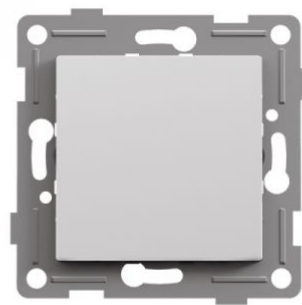
| | |
|---------------------------|--|
| Ingress protection | IP20 |
| Housing material | Iron alloy, Steel, PC, Polyamide |

Dimensions

| | |
|-----------------------|---------------|
| EAN | 4820246482561 |
| In the package | 1 pc. |
| Outer box | 80 pcs. |
| Height | 72 mm |
| Width | 72 mm |
| Depth | 40 mm |

Signs marking goods

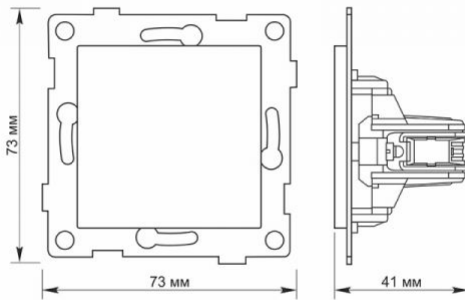
| | |
|--------------------------|-------------|
| Packaging marking | Utilization |
|--------------------------|-------------|



INDEX: VF-BNC-W

We reserve the right to make technical changes. The data contained in this material is not legally binding.

Allegro opt Sp. z o.o., ul. Mierzeja Wiślana 11,
30-732 Krakow, Poland.



It is forbidden to throw away waste equipment marked with the symbol of a crossed-out bin with other waste



— Class of protection against dust and moisture. Protection against solid objects larger than 12 mm; no protection against moisture