

TECHNICAL CARD



PIR motion and light sensor



Pursuant to the provisions of the WEEE Act, it is forbidden to put waste equipment marked with the symbol of a crossed out bin together with other waste. The user, wishing to get rid of electronic and electrical equipment, is obliged to return it to a waste equipment collection point. There are no hazardous components in the equipment that have a particularly negative impact on the environment and human health.

VIDEX®



Free



-20° +40°C



IP65

WARRANTY 3 YEARS

Electrical parameters

Rated voltage, frequency	AC 220-240 V, 50/60 Hz
Input interface	Free wire ends
Electric shock protection class	II
Standby Power (Psb)	<0.6 W

Photometric parameters

Sensor light threshold	3-2000 Lx
-------------------------------	-----------

Additional information

Place of installation	Ceiling, Flat surface, Wall
Place of application	indoor, outdoor
Housing colour	White
Ultraviolet radiation	no
Motion sensor	yes
Sensor type	PIR
Sensor time delay	10 s - 8 min
Sensor detection angle	120°, 360°
Sensor detection distance	2 - 8 m
Operating temperature range	-20° +40°C

VIDEX VL-SPR24 800W IP65

INDEX: VL-SPR24

Ingress protection	IP65
Housing material	PC

Dimensions

EAN	4820246488471
In the package	1 pc.
Height	23.5 mm
Outer box	20 pcs.
Width	18 mm
Depth	18 mm
Unit nett weight	47g

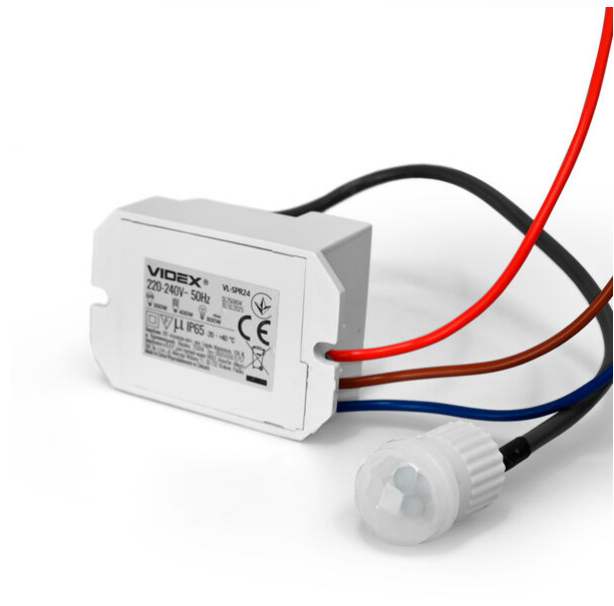
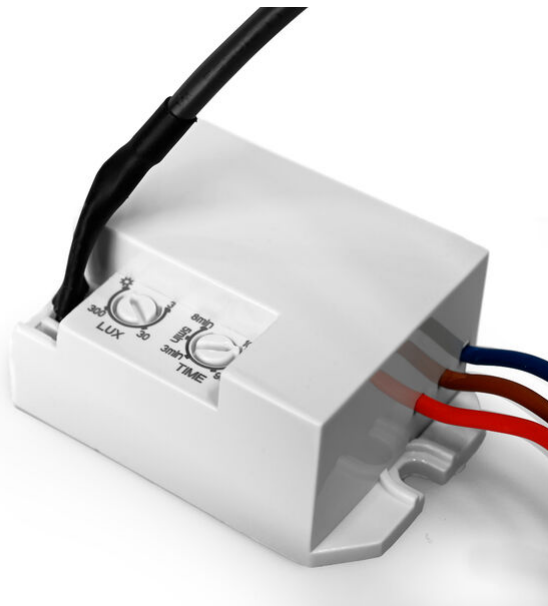
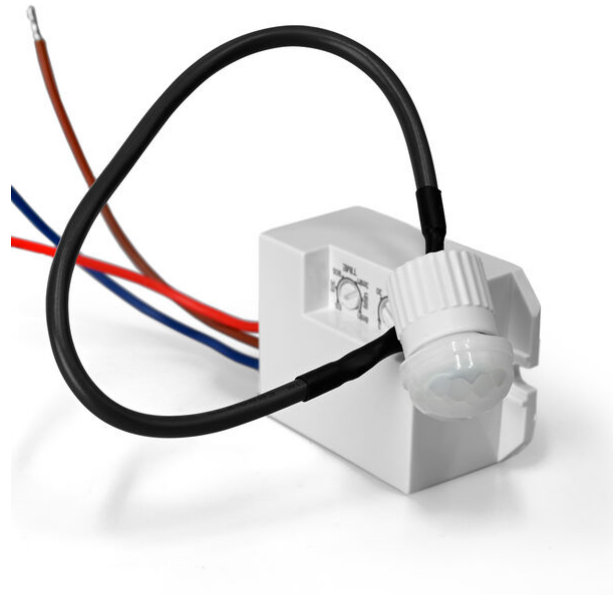
Signs marking goods

Packaging marking	CE, Utilization
--------------------------	-----------------



VIDEX®

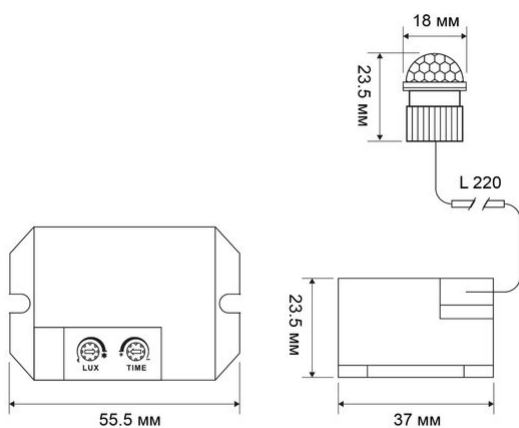
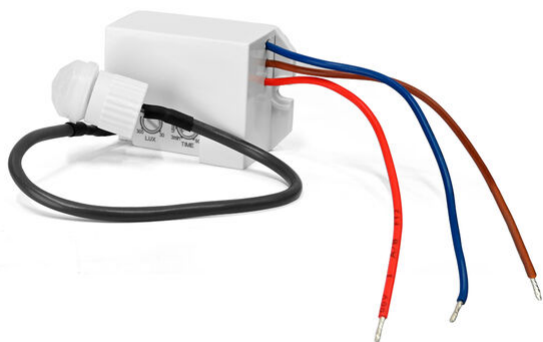
VIDEX VL-SPR24 800W IP65

INDEX: VL-SPR24

INDEX: VL-SPR24

We reserve the right to make technical changes. The data contained in this material is not legally binding.

Allegra opt Sp. z o.o., ul. Mierzeja Wiślana 11,
30-732 Krakow, Poland.



The product must be used indoors



The product must be used outdoors



Class of protection against electric shock II - provided not only by basic insulation but also by double or reinforced insulation



The product meets the requirements of EU directives



It is forbidden to throw away waste equipment marked with the symbol of a crossed-out bin with other waste



Free

The product does not emit ultraviolet light



-20° +40°C

Operating temperatures range



IP65

Class of protection against dust and moisture. The product has full protection against dust and water jets from all directions