

TECHNICAL CARD



PIR motion and light sensor



Pursuant to the provisions of the WEEE Act, it is forbidden to put waste equipment marked with the symbol of a crossed out bin together with other waste. The user, wishing to get rid of electronic and electrical equipment, is obliged to return it to a waste equipment collection point. There are no hazardous components in the equipment that have a particularly negative impact on the environment and human health.

VIDEX®



Free



-20° +40°C



IP65

WARRANTY 2 YEARS

Electrical parameters

| | |
|---------------------------------|------------------------|
| Rated voltage, frequency | AC 220-240 V, 50/60 Hz |
| Input interface | Free wire ends |
| Electric shock protection class | II |
| Standby Power (Psb) | <0.9 W |

Photometric parameters

| | |
|------------------------|------------|
| Sensor light threshold | 10-2000 Lx |
|------------------------|------------|

Additional information

| | |
|-----------------------------|-----------------------------|
| Place of installation | Ceiling, Flat surface, Wall |
| Place of application | indoor, outdoor |
| Housing colour | White |
| Ultraviolet radiation | no |
| Motion sensor | yes |
| Sensor type | PIR |
| Sensor detection angle | 360° |
| Sensor time delay | 10 s - 7 min |
| Sensor detection distance | 2 - 8 m |
| Operating temperature range | -20° +40°C |
| Ingress protection | IP65 |

VIDEX VL-SPR17W 1200W

INDEX: VL-SPR17W

Housing material ABS, PE (Polyethylene)

Dimensions

| | |
|------------------|---------------|
| EAN | 4820118299310 |
| In the package | 1 pc. |
| Height | 80 mm |
| Outer box | 100 pcs. |
| Width | 80 mm |
| Depth | 53 mm |
| Unit nett weight | 69g |

Signs marking goods

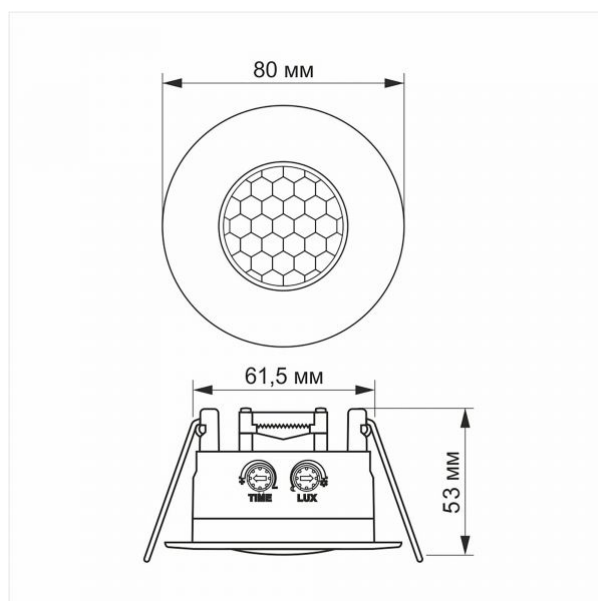
Packaging marking Recycling of waste, CE, Utilization



VIDEX®

VIDEX VL-SPR17W 1200W

INDEX: VL-SPR17W



8m

10sec-
7min10-2000
lx

360°

1200W

IP65

We reserve the right to make technical changes. The data contained in this material is not legally binding.

Allegro opt Sp. z o.o., ul. Mierzeja Wiślana 11,
30-732 Krakow, Poland.



The product must be used indoors



The product must be used outdoors



Class of protection against electric shock II - provided not only by basic insulation but also by double or reinforced insulation



Waste recycling after the end of the product's service life



The product meets the requirements of EU directives



It is forbidden to throw away waste equipment marked with the symbol of a crossed-out bin with other waste



The product does not emit ultraviolet light



Operating temperatures range



Class of protection against dust and moisture. The product has full protection against dust and water jets from all directions