

VIDEX®

VIDEX-TOR-20W-WHITE

INDEX: VLE-TR04-204W

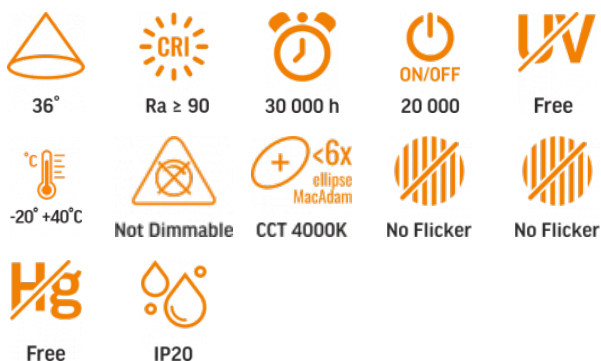
TECHNICAL CARD



LED Track Light



Pursuant to the provisions of the WEEE Act, it is forbidden to put waste equipment marked with the symbol of a crossed out bin together with other waste. The user, wishing to get rid of electronic and electrical equipment, is obliged to return it to a waste equipment collection point. There are no hazardous components in the equipment that have a particularly negative impact on the environment and human health.



WARRANTY 3 YEARS



Neutral White / Neutralny biały / Neutralni bila / Blanc neuter / Neutrálna biela / Neutraal wit / Semleges feher / Nevtralno bela / Neutralno bijela / Neutralweiß / Alb neutru / Neutralus balta / Neitrāls balta / Neutraalne valge / Нейтрално бяла / Bianco neutro.

General parameters

Light source replaceable	by the producer
Light source or containing product	Containing product

Type of light source

Dimmable	no
Directional (DLS) or non-directional (NDLS) light source	DLS
Mains (MLS) or non-mains (NMLS) light source	MLS
Color-tunable light source	no
Technology	LED
Energy efficiency class of the contained light source	F

Electrical parameters

On-mode power (Pon)	20 W
Rated voltage, frequency	AC 220-240 V, 50/60 Hz
Rated current	170 mA
Input interface	2 Wires Busbar
Electric shock protection class	II
Energy consumption in on-mode of the light source (kWh/1000h)	20
Displacement factor (cos φ1)	0.7

Photometric parameters

Useful luminous flux of the contained light source (Φuse)	1600 Lm
Correlated color temperature	4000K (neutral white)
Beam angle	36°
Color rendering index (CRI)	Ra > 90
Lifetime	30000 h
On/Off cycles	20000
Useful luminous flux of the light source reference	in a narrow cone (90°)
Chromaticity coordinates (x)	0.38
Chromaticity coordinates (y)	0.38
R9 colour rendering index value	>0
Colour consistency in MacAdam ellipses (SDCM)	<6 (4000K)
Flicker metric (Pst LM)	≤1
Stroboscopic effect metric (SVM)	≤0.4

VIDEX®

VIDEX-TOR-20W-WHITE

INDEX: VLE-TR04-204W

CRI Min	Ra 90
CRI Max	Ra 95

Additional information

Place of installation	Busbar track
Place of application	indoor
Housing colour	White
Minimum distance from the illuminated object	0.5 m
Diffuser material	PMMA
Ultraviolet radiation	no
Operating temperature range	-20° +40°C
Suitable for installation in normally flammable surfaces	yes
Mercury content	Does not contain
Ingress protection	IP20
Housing material	Aluminum alloy

Dimensions

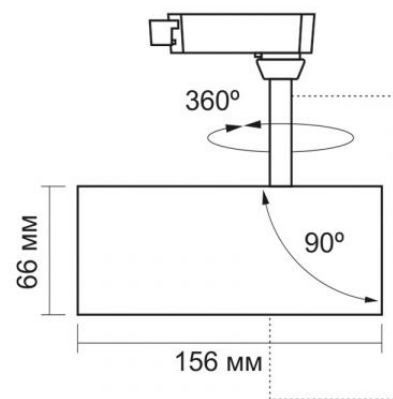
EAN	5904405541463
Height	156 mm
Width	66 mm
Depth	66 mm
In the package	1 pc.
Outer box	20 pcs.

Signs marking goods

Packaging marking

Recycling of waste, CE, Utilization



VIDEX[®]**VIDEX-TOR-20W-WHITE****INDEX: VLE-TR04-204W**

VIDEX[®]

VIDEX-TOR-20W-WHITE

INDEX: VLE-TR04-204W

We reserve the right to make technical changes. The data contained in this material is not legally binding.

Allegro opt Sp. z o.o., ul. Mierzeja Wiślana 11,
30-732 Krakow, Poland.