

TECHNICAL CARD



LED T8 Glass Tube



Pursuant to the provisions of the WEEE Act, it is forbidden to put waste equipment marked with the symbol of a crossed out bin together with other waste. The user, wishing to get rid of electronic and electrical equipment, is obliged to return it to a waste equipment collection point. There are no hazardous components in the equipment that have a particularly negative impact on the environment and human health.

VIDEX®



330°



Ra ≥ 80



30 000 h

ON/OFF
20 000

Not Dimmable



Free



IP20

WARRANTY 2 YEARS

NEUTRAL WHITE



4000K

Neutral White / Neutralny biały / Neutralni bila / Blanc neuter / Neutrálina biela / Neutraal wit / Semleges feher / Nevtralno bela / Neutralno bijela / Neutralweiß / Alb neutru / Neutralus balta / Neitrāls balta / Neutraalne valge / Нейтрално бяла / Bianco neutro.

Type of light source

Energy class of the light source	F
---	---

Dimmable	no
-----------------	----

Electrical parameters

On-mode power (Pon)	10 W
----------------------------	------

Rated voltage, frequency	AC 185-265 V, 50/60 Hz
---------------------------------	------------------------

Rated current	78 mA
----------------------	-------

Photometric parameters

Useful luminous flux of the light source (Φuse)	1050 Lm
--	---------

Correlated color temperature	4000K (neutral white)
-------------------------------------	-----------------------

Beam angle	330°
-------------------	------

Color rendering index (CRI)	Ra > 80
------------------------------------	---------

VIDEX-T8-LED-60-10W-NW

INDEX: VLE-T8-10064

Lifetime	30000 h
On/Off cycles	20000
Useful luminous flux of the light source	in a sphere (360°)

Additional information

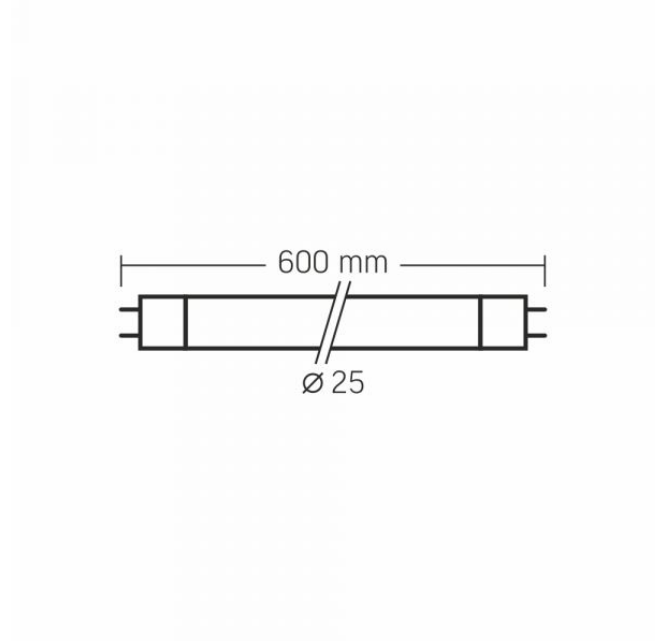
Place of application	indoor
Operating temperature range	-20° +40°C
Mercury content	Does not contain
Ingress protection	IP20

Dimensions

EAN	5904405540664
Height	25 mm
Depth	600 mm
Width	25 mm
Outer box	30 pcs.

VIDEX[®]

VIDEX-T8-LED-60-10W-NW

INDEX: VLE-T8-10064

We reserve the right to make technical changes. The data contained in this material is not legally binding.

Allegro Opt Sp. z o.o., Handlowa 23, 05-120 Legionowo, Poland.

Date: 8.09.2024