

## TECHNICAL CARD



LED Solar Wall Light with motion sensor



Pursuant to the provisions of the WEEE Act, it is forbidden to put waste equipment marked with the symbol of a crossed out bin together with other waste. The user, wishing to get rid of electronic and electrical equipment, is obliged to return it to a waste equipment collection point. There are no hazardous components in the equipment that have a particularly negative impact on the environment and human health.

# VIDEX®



120°



Ra ≥ 80

ON/OFF  
20 000

IK07



CCT 5000K



Free



IP54

## WARRANTY 2 YEARS

### NEUTRAL WHITE



5000K

Neutral White / Neutralny biały / Neutralni bila / Blanc neuter / Neutrálna biela / Neutraal wit / Semleges feher / Nevtralno bela / Neutralno bijela / Neutralweiß / Alb neutru / Neutralus balta / Neitrāls balta / Neutraalne valge / Нейтрално бяла / Bianco neutro.

### General parameters

Light source replaceable	no
Light source or containing product	Containing product

### Type of light source

Technology	LED
------------	-----

### Electrical parameters

Rated voltage, frequency	3.2 V
--------------------------	-------

### Photometric parameters

Correlated color temperature	5000K (neutral white)
Beam angle	120°
Color rendering index (CRI)	Ra > 80

## VIDEX VL-BHSO-002-S 500Lm 5000K

### INDEX: VL-BHSO-002-S

Lifetime	2000 battery cycles
On/Off cycles	20000
Colour consistency in MacAdam ellipses (SDCM)	<6 (5000K)
CRI Min	Ra 80
CRI Max	Ra 88

### Additional information

Place of installation	Wall
Place of application	outdoor
Housing colour	Black
Impact protection	IK07
Minimum distance from the illuminated object	0.5 m
Diffuser material	ABS
Motion sensor	yes
Operating temperature range	-20° +45°C
Suitable for installation in normally flammable surfaces	yes
Mercury content	Does not contain
Ingress protection	IP54
Housing material	ABS

### Dimensions

EAN	4820246485487
Height	220 mm
Depth	97 mm
Width	220 mm

# VIDEX®

VIDEX VL-BHSO-002-S 500Lm 5000K

**INDEX: VL-BHSO-002-S**

**Outer box** 20 pcs.

**Unit nett weight** 406g

**In the package** 1 pc.

## Signs marking goods

### Packaging marking

Recycling of  
waste, CE,  
Utilization



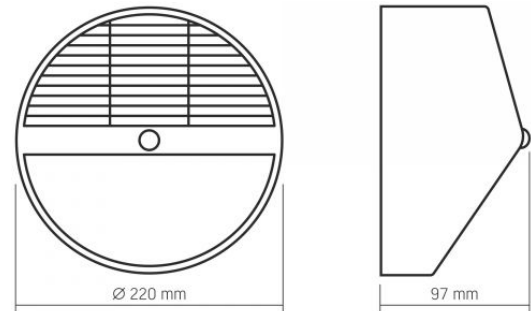
**VIDEX<sup>®</sup>**

VIDEX VL-BHSO-002-S 500Lm 5000K

**INDEX: VL-BHSO-002-S**

**VIDEX®**

VIDEX VL-BHSO-002-S 500Lm 5000K

**INDEX: VL-BHSO-002-S**

We reserve the right to make technical changes. The data contained in this material is not legally binding.

Allegro opt Sp. z o.o., ul. Mierzeja Wiślana 11,  
30-732 Krakow, Poland.