

## TECHNICAL CARD



LED Solar Park Light with motion sensor



Pursuant to the provisions of the WEEE Act, it is forbidden to put waste equipment marked with the symbol of a crossed out bin together with other waste. The user, wishing to get rid of electronic and electrical equipment, is obliged to return it to a waste equipment collection point. There are no hazardous components in the equipment that have a particularly negative impact on the environment and human health.

# VIDEX®



360°



Ra ≥ 80

2000  
CYCLESON/OFF  
20 000

-10° +40°C



CCT 5000K



Free



IP54

## WARRANTY 2 YEARS

### General parameters

Light source replaceable no

### Type of light source

Technology LED

### Electrical parameters

On-mode power (Pon) 38.4 Wh

Rated voltage, frequency 3.2 V

Electric shock protection class III

### Photometric parameters

Correlated color temperature 5000K  
(neutral white), 3000K  
(warm white)

Beam angle 360°, 60°

Color rendering index (CRI) Ra > 80

Lifetime 2000 battery  
cycles

On/Off cycles 20000

## VIDEX VL-GLSO-1254-S

### INDEX: VL-GLSO-1254-S

Colour consistency in MacAdam ellipses (SDCM) <6 (5000K)

### Additional information

Place of installation	Pillar
Place of application	outdoor
Impact protection	IK06
Housing colour	Black
Minimum distance from the illuminated object	0.5 m
Diffuser material	ABS
Motion sensor	yes
Operating temperature range	-10° +40°C
Mercury content	Does not contain
Ingress protection	IP54
Housing material	ABS

### Dimensions

EAN	4820246484329
Height	100 mm
Width	430 mm
Depth	430 mm
In the package	1 pc.
Outer box	5 pcs.
Unit nett weight	2.51kg

### Signs marking goods

Packaging marking Recycling of waste, CE, Utilization

**VIDEX®**

VIDEX VL-GLSO-1254-S

INDEX: VL-GLSO-1254-S

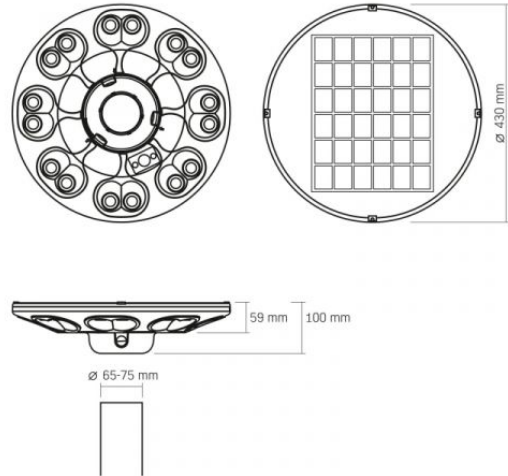


**VIDEX<sup>®</sup>**

VIDEX VL-GLSO-1254-S

**INDEX: VL-GLSO-1254-S**

### INDEX: VL-GLSO-1254-S



We reserve the right to make technical changes. The data contained in this material is not legally binding.

Allegro opt Sp. z o.o., ul. Mierzeja Wiślana 11,  
30-732 Krakow, Poland.

