

TECHNICAL CARD



LED Solar Floodlight



Pursuant to the provisions of the WEEE Act, it is forbidden to put waste equipment marked with the symbol of a crossed out bin together with other waste. The user, wishing to get rid of electronic and electrical equipment, is obliged to return it to a waste equipment collection point. There are no hazardous components in the equipment that have a particularly negative impact on the environment and human health.

VIDEX®



90°



Ra ≥ 80



30 000 h

ON/OFF
20 000

IK07



-20°C +50°C



Dimmable



Free



IP65

WARRANTY 2 YEARS

NEUTRAL WHITE



5000K

Neutral White / Neutralny biały / Neutralni bila / Blanc neuter / Neutrálna biela / Neutraal wit / Semleges feher / Nevtralno bela / Neutralno bijela / Neutralweiß / Alb neutru / Neutraus balta / Neitrāls balta / Neutraalne valge / Неутрално бяла / Bianco neutro.

General parameters

Light source replaceable no

Type of light source

Dimmable yes

Electrical parameters

Cable length 1 m

Electric shock protection class III

Photometric parameters

Useful luminous flux of the contained light source (Φ_{use}) 600 Lm

Correlated color temperature 5000K (neutral white)

Beam angle 90°

VIDEX-FLOOD-LED-SOLAR-GELIO-20W-NW

INDEX: VL-FSO-205

Color rendering index (CRI) Ra > 80

Lifetime 30000 h

On/Off cycles 20000

Additional information

Place of installation Flat surface, Wall

Vertical adjustment range 180°

Place of application outdoor

Impact protection IK07

Housing colour Gray

Minimum distance from the illuminated object 0.5 m

Diffuser material Polycarbonate (PC)

Motion sensor no

Operating temperature range -20° +50°C

Mercury content Does not contain

Ingress protection IP65

Housing material Aluminum alloy

Dimensions

EAN 4820118298924

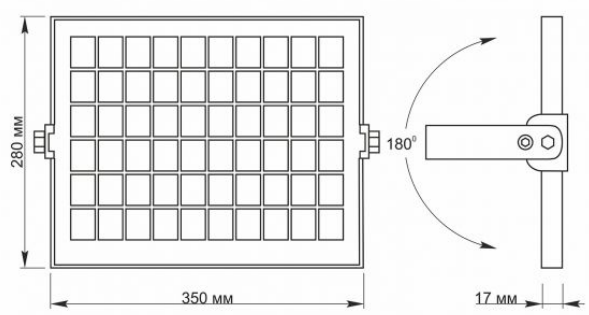
Height 145 mm

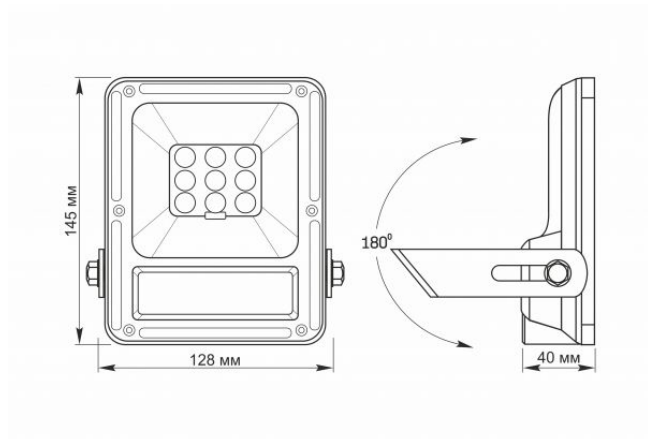
Width 128 mm

Depth 40 mm

Outer box 5 pcs.

INDEX: VL-FSO-205



INDEX: VL-FSO-205

We reserve the right to make technical changes. The data contained in this material is not legally binding.

Allegro opt Sp. z o.o., ul. Mierzeja Wiślana 11,
30-732 Krakow, Poland.