

## TECHNICAL CARD



LED Solar Floodlight



Pursuant to the provisions of the WEEE Act, it is forbidden to put waste equipment marked with the symbol of a crossed out bin together with other waste. The user, wishing to get rid of electronic and electrical equipment, is obliged to return it to a waste equipment collection point. There are no hazardous components in the equipment that have a particularly negative impact on the environment and human health.

# VIDEX®



90°



Ra ≥ 80



30 000 h

ON/OFF  
20 000

IK07



-20°C +50°C



Dimmable



Free



IP65

## WARRANTY 2 YEARS

### NEUTRAL WHITE



5000K

Neutral White / Neutralny biały / Neutralni bila / Blanc neuter / Neutrálina biela / Neutraal wit / Semleges feher / Nevtralno bela / Neutralno bijela / Neutralweiß / Alb neutru / Neutralus balta / Neitrāls balta / Neutraalne valge / Нейтрално бяла / Bianco neutro.

VIDEX GELIO is an autonomous lighting system consisting of a solar panel and an LED floodlight. The system does not need to be connected to the mains to work, but works by converting sunlight into energy to power the floodlight. Energy is stored in the battery, which is built into the body of the floodlight...

### General parameters

Light source replaceable	no
--------------------------	----

### Type of light source

Dimmable	yes
----------	-----

Technology	LED
------------	-----

### Electrical parameters

Cable length	1 m
--------------	-----

Electric shock protection class	III
---------------------------------	-----

## VIDEX-FLOOD-LED-SOLAR-GELIO-20W-NW

### INDEX: VLE-FSO-205

### Photometric parameters

Useful luminous flux of the light source (Φuse)	600 Lm
---	--------

Correlated color temperature	5000K (neutral white)
------------------------------	--------------------------

Beam angle	90°
------------	-----

Color rendering index (CRI)	Ra > 80
-----------------------------	---------

Lifetime	30000 h
----------	---------

On/Off cycles	20000
---------------	-------

### Additional information

Place of installation	Flat surface, Wall
-----------------------	--------------------

Vertical adjustment range	180°
---------------------------	------

Place of application	outdoor
----------------------	---------

Housing colour	Gray
----------------	------

Impact protection	IK07
-------------------	------

Minimum distance from the illuminated object	0.5 m
--	-------

Diffuser material	Polycarbonate (PC)
-------------------	--------------------

Motion sensor	no
---------------	----

Operating temperature range	-20° +50°C
-----------------------------	------------

Mercury content	Does not contain
-----------------	------------------

Ingress protection	IP65
--------------------	------

Housing material	Aluminum alloy
------------------	----------------

### Dimensions

EAN	5904405541180
-----	---------------

# VIDEX®

## VIDEX-FLOOD-LED-SOLAR-GELIO-20W-NW

### INDEX: VLE-FSO-205

<b>Height</b>	145 mm
<b>Width</b>	128 mm
<b>Depth</b>	42 mm
<b>Outer box</b>	5 pcs.
<b>In the package</b>	1 pc.

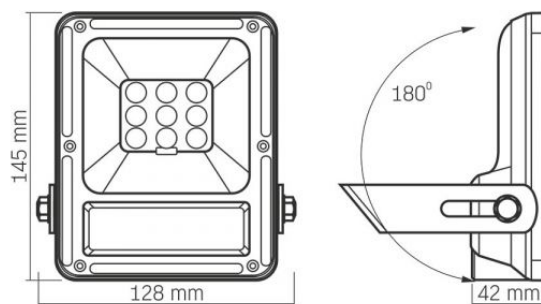
### Signs marking goods

**Packaging marking** CE, Utilization

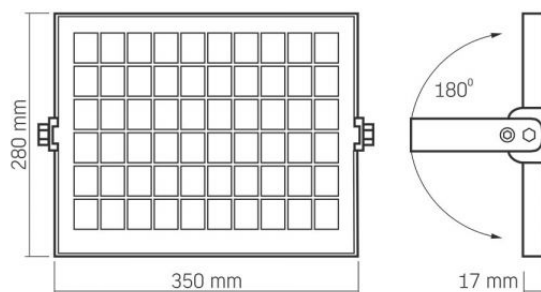


## INDEX: VLE-FSO-205

FLOODLIGHT



SOLAR PANEL



We reserve the right to make technical changes. The data contained in this material is not legally binding.

Allegro opt Sp. z o.o., ul. Mierzeja Wiślana 11,  
30-732 Krakow, Poland.