

## TECHNICAL CARD



LED Solar Floodlight



Pursuant to the provisions of the WEEE Act, it is forbidden to put waste equipment marked with the symbol of a crossed out bin together with other waste. The user, wishing to get rid of electronic and electrical equipment, is obliged to return it to a waste equipment collection point. There are no hazardous components in the equipment that have a particularly negative impact on the environment and human health.

# VIDEX®



90°



Ra ≥ 80



30 000 h

ON/OFF  
20 000

IK07



-20°C +50°C



Dimmable



Free



IP65

## WARRANTY 2 YEARS

### NEUTRAL WHITE



5000K

Neutral White / Neutralny biały / Neutralni bila / Blanc neuter / Neutrálna biela / Neutraal wit / Semleges feher / Nevtralno bela / Neutralno bijela / Neutralweiß / Alb neutru / Neutrus balta / Neitrāls balta / Neutraalne valge / Неутрално бяла / Bianco neutro.

## General parameters

**Light source replaceable** no

## Type of light source

**Dimmable** yes

## Electrical parameters

**Cable length** 1 m

**Electric shock protection class** III

## Photometric parameters

**Useful luminous flux of the light source (Φ<sub>use</sub>)** 2800 Lm

**Correlated color temperature** 5000K (neutral white)

**Beam angle** 90°

## VIDEX-FLOOD-LED-SOLAR-GELIO-100W-NW

### INDEX: VLE-FSO-1005

**Color rendering index (CRI)** Ra > 80

**Lifetime** 30000 h

**On/Off cycles** 20000

## Additional information

**Place of installation** Flat surface, Wall

**Vertical adjustment range** 180°

**Place of application** outdoor

**Impact protection** IK07

**Housing colour** Gray

**Minimum distance from the illuminated object** 0.5 m

**Diffuser material** Polycarbonate (PC)

**Motion sensor** no

**Operating temperature range** -20° +50°C

**Mercury content** Does not contain

**Ingress protection** IP65

**Housing material** Aluminum alloy

## Dimensions

**EAN** 5904405541197

**Height** 282 mm

**Width** 250 mm

**Depth** 42 mm

**Outer box** 3 pcs.

**VIDEX®**

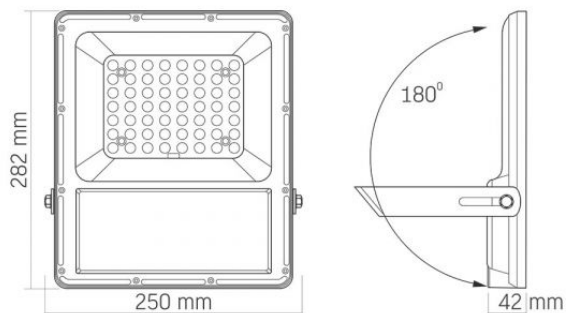
VIDEX-FLOOD-LED-SOLAR-GELIO-100W-NW

**INDEX: VLE-FSO-1005**

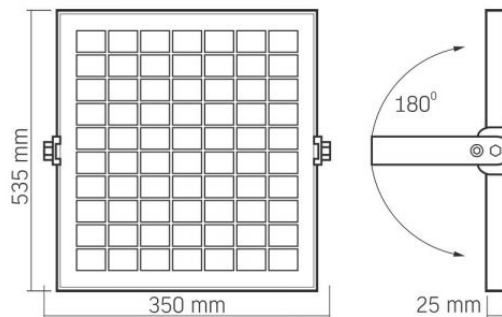
## INDEX: VLE-FSO-1005



FLOODLIGHT



SOLAR PANEL



We reserve the right to make technical changes. The data contained in this material is not legally binding.

Allegro opt Sp. z o.o., ul. Mierzeja Wiślana 11,  
30-732 Krakow, Poland.