

# VIDEX®

## VIDEX 30W 5000K

### INDEX: VL-FSO-1005

## TECHNICAL CARD



LED Solar Floodlight



Pursuant to the provisions of the WEEE Act, it is forbidden to put waste equipment marked with the symbol of a crossed out bin together with other waste. The user, wishing to get rid of electronic and electrical equipment, is obliged to return it to a waste equipment collection point. There are no hazardous components in the equipment that have a particularly negative impact on the environment and human health.

# VIDEX®



90°



Ra ≥ 80



30 000 h

ON/OFF  
20 000

IK07



-20°C +50°C



Dimmable



Free



IP65

## WARRANTY 2 YEARS

### NEUTRAL WHITE



### 5000K

Neutral White / Neutralny biały / Neutralni bila / Blanc neuter / Neutrálna biela / Neutraal wit / Semleges feher / Nevtralno bela / Neutralno bijela / Neutralweiß / Alb neutru / Neutralus balta / Neitrāls balta / Neutraalne valge / Нейтрално бяла / Bianco neutro.

## General parameters

**Light source replaceable** no

## Type of light source

**Dimmable** yes

**Technology** LED

## Electrical parameters

**Cable length** 1 m

**Electric shock protection class** III

## Photometric parameters

**Useful luminous flux of the light source (Φ<sub>use</sub>)** 2800 Lm

**Correlated color temperature** 5000K (neutral white)

## VIDEX 30W 5000K

### INDEX: VL-FSO-1005

<b>Beam angle</b>	90°
<b>Color rendering index (CRI)</b>	Ra > 80
<b>Lifetime</b>	30000 h
<b>On/Off cycles</b>	20000

## Additional information

<b>Place of installation</b>	Flat surface, Wall
<b>Vertical adjustment range</b>	180°
<b>Place of application</b>	outdoor
<b>Impact protection</b>	IK07
<b>Housing colour</b>	Gray
<b>Minimum distance from the illuminated object</b>	0.5 m
<b>Diffuser material</b>	Polycarbonate (PC)
<b>Motion sensor</b>	no
<b>Operating temperature range</b>	-20° +50°C
<b>Mercury content</b>	Does not contain
<b>Ingress protection</b>	IP65
<b>Housing material</b>	Aluminum alloy

## Dimensions

<b>EAN</b>	4820118298948
<b>Height</b>	282 mm
<b>Width</b>	250 mm
<b>Depth</b>	42 mm
<b>Outer box</b>	3 pcs.
<b>Unit nett weight</b>	4.3kg

# VIDEX®

## VIDEX 30W 5000K

### INDEX: VL-FSO-1005

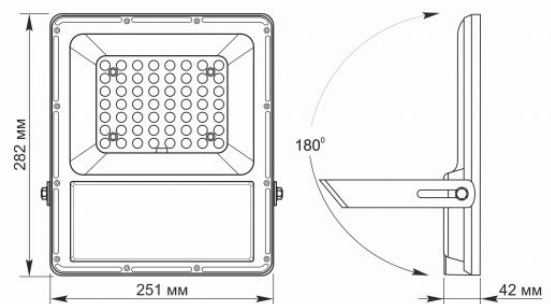
In the package

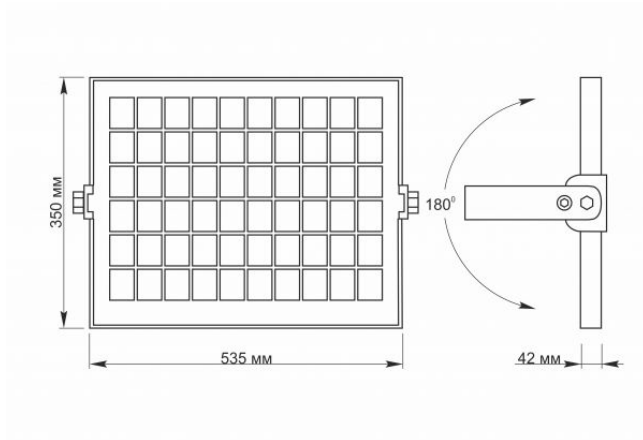
1 pc.

Signs marking goods

Packaging marking

CE, Utilization



**INDEX: VL-FSO-1005**

We reserve the right to make technical changes. The data contained in this material is not legally binding.

Allegro opt Sp. z o.o., ul. Mierzeja Wiślana 11,  
30-732 Krakow, Poland.