

TECHNICAL CARD

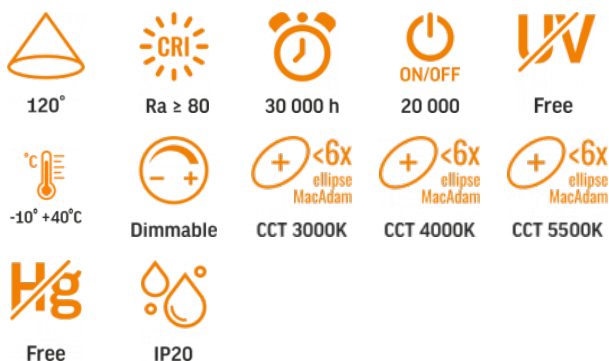


LED Rechargeable Desk Lamp



Pursuant to the provisions of the WEEE Act, it is forbidden to put waste equipment marked with the symbol of a crossed out bin together with other waste. The user, wishing to get rid of electronic and electrical equipment, is obliged to return it to a waste equipment collection point. There are no hazardous components in the equipment that have a particularly negative impact on the environment and human health.

INDEX: VLE-TF18B



WARRANTY 2 YEARS

General parameters

Control gear replaceable	no
Light source replaceable	no
Light source or containing product	Containing product

Type of light source

Dimmable	3-step
Directional or non-directional light source	-
Mains or non-mains light source	-
Connected light source (cls)	-
Colour-tuneable light source (CTLS)	yes
High luminance light source	-
Anti-glare shield	-
Technology	LED

Electrical parameters

On-mode power (Pon)	3 W
---------------------	-----

Rated voltage, frequency	DC 5 V
Rated current	2 A
Input interface	USB-C
Electric shock protection class	III
Displacement factor (cos φ1)	-
Survival factor	1

Photometric parameters

Correlated color temperature	5500K (cold white), 4000K (neutral white), 3000K (warm white)
Beam angle	120°
Color rendering index (CRI)	Ra > 80
Lifetime	30000 h
On/Off cycles	20000
Chromaticity coordinates (x)	0.38
Chromaticity coordinates (y)	0.38
R9 colour rendering index value	-
The lumen maintenance factor	-
Colour consistency in MacAdam ellipses (SDCM)	<6 (3000K), <6 (4000K), <6 (5500K)
Flicker metric (Pst LM)	-
Stroboscopic effect metric (SVM)	-

Additional information

Place of installation	Desk
Place of application	indoor

VIDEX®

VIDEX VLE-TF18B Black

INDEX: VLE-TF18B

Housing colour	Black
Ultraviolet radiation	no
Operating temperature range	-10° +40°C
Mercury content	Does not contain
Ingress protection	IP20
Housing material	PC, PP, PS

Dimensions

EAN	5904405542552
Height	356 mm
Width	120 mm
Depth	120 mm
Outer box	20 pcs.
In the package	1 pc.

Signs marking goods

Packaging marking	Recycling of waste, CE, Utilization
--------------------------	-------------------------------------



VIDEX®

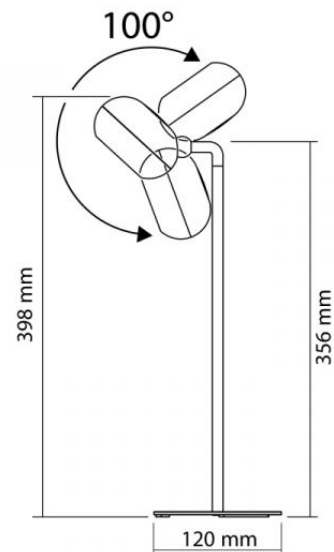
VIDEX VLE-TF18B Black

INDEX: VLE-TF18B

VIDEX®

VIDEX VLE-TF18B Black

INDEX: VLE-TF18B



We reserve the right to make technical changes. The data contained in this material is not legally binding.

Allegro opt Sp. z o.o., ul. Mierzeja Wiślana 11,
30-732 Krakow, Poland.