

TECHNICAL CARD

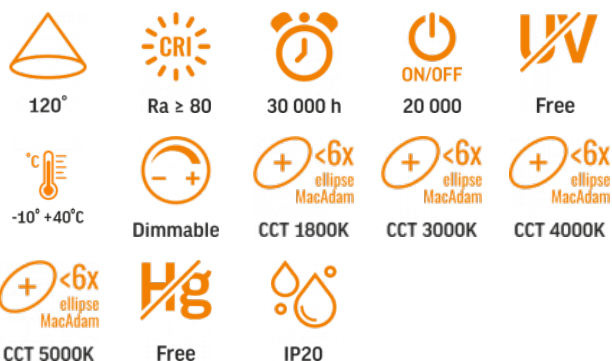


LED Rechargeable Desk Lamp



Pursuant to the provisions of the WEEE Act, it is forbidden to put waste equipment marked with the symbol of a crossed out bin together with other waste. The user, wishing to get rid of electronic and electrical equipment, is obliged to return it to a waste equipment collection point. There are no hazardous components in the equipment that have a particularly negative impact on the environment and human health.

INDEX: VL-TF16W



WARRANTY 2 YEARS

General parameters

Control gear replaceable	yes
Light source replaceable	no
Light source or containing product	Containing product

Type of light source

Dimmable	yes
Directional or non-directional light source	NDLS
Mains or non-mains light source	NMLS
Connected light source (cls)	no
Colour-tuneable light source (CTLS)	no
Technology	LED

Electrical parameters

On-mode power (Pon)	5 W
Rated voltage, frequency	DC 5 V
Rated current	1 A

Input interface	USB - DC
Electric shock protection class	III
Displacement factor (cos φ1)	-
Survival factor	1

Photometric parameters

Correlated color temperature	5000K (neutral white), 4000K (neutral white), 3000K (warm white), 1800K (warm white)
Beam angle	120°
Color rendering index (CRI)	Ra > 80
Lifetime	30000 h
On/Off cycles	20000
R9 colour rendering index value	>0
The lumen maintenance factor	≥96%
Colour consistency in MacAdam ellipses (SDCM)	<6 (1800K), <6 (3000K), <6 (4000K), <6 (5000K)
Flicker metric (Pst LM)	-
Stroboscopic effect metric (SVM)	-
CRI Min	Ra 80
CRI Max	Ra 88

Additional information

Place of installation	Desk
Place of application	indoor

VIDEX®

VIDEX VL-TF16W White

INDEX: VL-TF16W

Housing colour	White
Ultraviolet radiation	no
Operating temperature range	-10° +40°C
Mercury content	Does not contain
Ingress protection	IP20
Housing material	ABS

Dimensions

EAN	4820246484039
Height	343 mm
Width	150 mm
Depth	150 mm
Outer box	16 pcs.
Unit nett weight	700g
In the package	1 pc.

Signs marking goods

Packaging marking	Recycling of waste, CE, Utilization
--------------------------	-------------------------------------



VIDEX[®]

VIDEX VL-TF16W White

INDEX: VL-TF16W

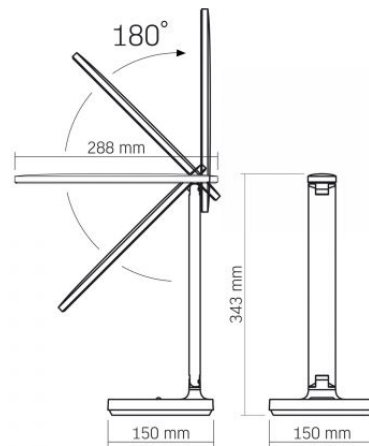
VIDEX[®]

VIDEX VL-TF16W White

INDEX: VL-TF16W

VIDEX[®]

VIDEX VL-TF16W White

INDEX: VL-TF16W

We reserve the right to make technical changes. The data contained in this material is not legally binding.

Allegro opt Sp. z o.o., ul. Mierzeja Wiślana 11,
30-732 Krakow, Poland.