

## TECHNICAL CARD



LED Panel



Pursuant to the provisions of the WEEE Act, it is forbidden to put waste equipment marked with the symbol of a crossed out bin together with other waste. The user, wishing to get rid of electronic and electrical equipment, is obliged to return it to a waste equipment collection point. There are no hazardous components in the equipment that have a particularly negative impact on the environment and human health.

# VIDEX®



120°



Ra ≥ 80



30 000 h

ON/OFF  
20 000

Free



-20° +40°C



Not Dimmable



Free



IP20

## WARRANTY 3 YEARS

### COLD WHITE



### 6000K

Cold White / Zimna biel / Studena bila / Blanc froid / Studená biela / Koud wit / Hideg feher / Hladno bela / Hladno bijela / Kaltweiß / Alb rece / Šalta balta / Auksti balta / Kúlm valge.

## General parameters

**Control gear replaceable** by the producer

**Light source replaceable** by the producer

## Type of light source

**Energy class of the light source** D

**Dimmable** no

## Electrical parameters

**Rated voltage, frequency** AC 175-265 V, 50/60 Hz

**Rated current** 300 mA

**Input interface** Free wire ends

**Electric shock protection class** II

## VIDEX-PANEL-LED-40W-P406W-CW

### INDEX: VLE-P406W

## Photometric parameters

**Useful luminous flux of the contained light source (Φuse)** 5200 Lm

**Correlated color temperature** 6000K (cold white)

**Beam angle** 120°

**Color rendering index (CRI)** Ra > 80

**Lifetime** 30000 h

**On/Off cycles** 20000

**Useful luminous flux of the light source reference** in a sphere (360°)

## Additional information

**Place of installation** Armstrong ceiling, Ceiling

**Place of application** indoor

**Housing colour** White

**Diffuser material** Plastic

**Ultraviolet radiation** no

**Operating temperature range** -20° +40°C

**Mercury content** Does not contain

**Ingress protection** IP20

**Housing material** Aluminum

## Dimensions

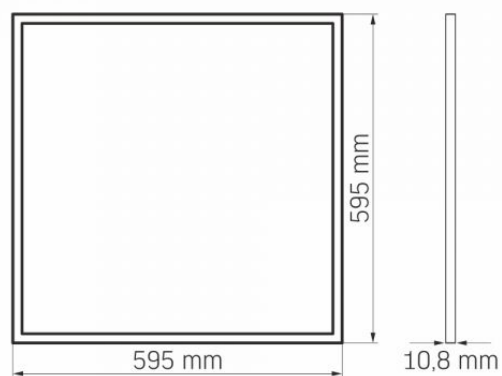
**EAN** 5904405540633

**Height** 595 mm

**Width** 595 mm

**VIDEX®**

VIDEX-PANEL-LED-40W-P406W-CW

**INDEX: VLE-P406W****Depth** 10.8 mm**Outer box** 5 pcs.

We reserve the right to make technical changes. The data contained in this material is not legally binding.

Allegro opt Sp. z o.o., ul. Mierzeja Wiślana 11,  
30-732 Krakow, Poland.

Date: 23.02.2025