

TECHNICAL CARD



LED module

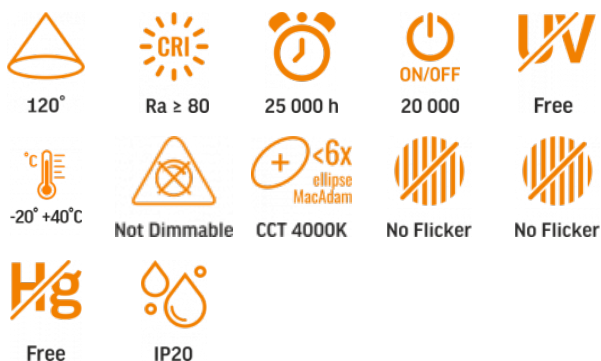


Pursuant to the provisions of the WEEE Act, it is forbidden to put waste equipment marked with the symbol of a crossed out bin together with other waste. The user, wishing to get rid of electronic and electrical equipment, is obliged to return it to a waste equipment collection point. There are no hazardous components in the equipment that have a particularly negative impact on the environment and human health.

VIDEX®

VIDEX VL-MLC-364 36W 4000K

INDEX: VL-MLC-364



WARRANTY 2 YEARS

NEUTRAL WHITE

4000K

Neutral White / Neutrálny biely / Neutralni bila / Blanc neuter / Neutrálna biela / Neutraal wit / Semleges feher / Nevtralno bela / Neutralno bijela / Neutralweiß / Alb neutru / Neutralus balta / Neitrāls balta / Neutraalne valge / Нейтрално бяла / Bianco neutro.

General parameters

Light source or containing product Light source

Type of light source

Energy class of the light source	E
Dimmable	no
Directional or non-directional light source	NDLS
Mains or non-mains light source	MLS
Connected light source (cls)	no
Colour-tuneable light source (CTLS)	no
High luminance light source	No
Anti-glare shield	No
Technology	LED

Electrical parameters

On-mode power (Pon)	36 W
Rated voltage, frequency	AC 175-250 V, 50/60 Hz
Rated current	180 mA
Input interface	Terminal block
Electric shock protection class	II
Energy consumption in on-mode of the light source (kWh/1000h)	36
Displacement factor (cos φ1)	-
Survival factor	1

Photometric parameters

Useful luminous flux of the light source (Φuse)	4350 Lm
Correlated color temperature	4000K (neutral white)
Beam angle	120°
Color rendering index (CRI)	Ra > 80
Lifetime	25000 h
On/Off cycles	20000
Useful luminous flux of the light source reference	in a sphere (360°)
Chromaticity coordinates (x)	0.38
Chromaticity coordinates (y)	0.38
R9 colour rendering index value	>0
The lumen maintenance factor	≥94.8%
Colour consistency in MacAdam ellipses (SDCM)	<6 (4000K)

INDEX: VL-MLC-364

Flicker metric (Pst LM)	≤1
Stroboscopic effect metric (SVM)	≤0.4
CRI Min	Ra 80
CRI Max	Ra 88

Additional information

Place of installation	In the light fixture
Place of application	indoor
Housing colour	White
Diffuser material	Polycarbonate (PC)
Ultraviolet radiation	no
Operating temperature range	-20° +40°C
Suitable for installation in normally flammable surfaces	yes
Mercury content	Does not contain
Ingress protection	IP20
Housing material	Aluminum

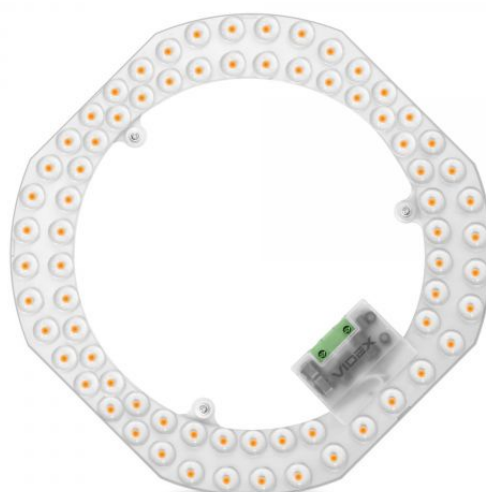
Dimensions

EAN	4820246485999
Height	270 mm
Width	270 mm
Depth	23 mm
Outer box	20 pcs.
Unit nett weight	190g
In the package	1 pc.

Signs marking goods

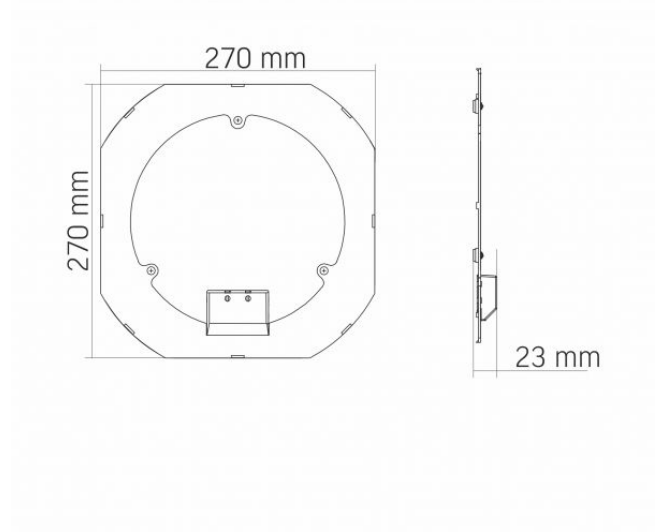
Packaging marking

Recycling of waste, CE, Not suitable for use under moisture, Utilization



VIDEX®

VIDEX VL-MLC-364 36W 4000K

INDEX: VL-MLC-364

We reserve the right to make technical changes. The data contained in this material is not legally binding.

Allegro opt Sp. z o.o., ul. Mierzeja Wiślana 11,
30-732 Krakow, Poland.

Date: 21.11.2024