

# VIDEX®

VIDEX VL-TRMS-LE24B Black

INDEX: VL-TRMS-LE24B

## TECHNICAL CARD



LED Light for Magnetic slim track light system



Pursuant to the provisions of the WEEE Act, it is forbidden to put waste equipment marked with the symbol of a crossed out bin together with other waste. The user, wishing to get rid of electronic and electrical equipment, is obliged to return it to a waste equipment collection point. There are no hazardous components in the equipment that have a particularly negative impact on the environment and human health.

# VIDEX®



36°



Ra ≥ 90



30 000 h

ON/OFF  
20 000

Free



Not Dimmable



CCT 4000K



No Flicker



Free



IP20

## WARRANTY 3 YEARS

### NEUTRAL WHITE



### 4000K

Neutral White / Neutralny biały / Neutralni bila / Blanc neuter / Neutrálina biela / Neutraal wit / Semleges feher / Nevtralno bela / Neutralno bijela / Neutralweiß / Alb neutru / Neutralus balta / Neitrāls balta / Neutraalne valge / Нейтрално бяла / Bianco neutro.

## General parameters

Light source replaceable	no
Light source or containing product	Containing product

## Type of light source

Energy class of the light source	F
Dimmable	no
Directional or non-directional light source	DLS
Mains or non-mains light source	NMLS
Connected light source (cls)	no
Colour-tuneable light source (CTLS)	no
High luminance light source	No
Anti-glare shield	No
Technology	LED

## VIDEX VL-TRMS-LE24B Black

### INDEX: VL-TRMS-LE24B

## Electrical parameters

On-mode power (Pon)	7.5 W
Rated voltage, frequency	DC 48 V
Rated current	167 mA
Input interface	2 Wires Busbar
Electric shock protection class	III
Displacement factor (cos φ1)	0.9
Energy consumption in on-mode of the light source (kWh/1000h)	7.5
Survival factor	1

## Photometric parameters

Useful luminous flux of the light source (Φuse)	610 Lm
Correlated color temperature	4000K (neutral white)
Beam angle	36°
Color rendering index (CRI)	Ra > 90
Lifetime	30000 h
On/Off cycles	20000
Useful luminous flux of the light source reference	in a narrow cone (90°)
Chromaticity coordinates (x)	0.38
Chromaticity coordinates (y)	0.38
R9 colour rendering index value	>0
The lumen maintenance factor	≥96%
Colour consistency in MacAdam ellipses (SDCM)	<6 (4000K)
Flicker metric (Pst LM)	≤1

### INDEX: VL-TRMS-LE24B

<b>Stroboscopic effect metric (SVM)</b>	≤0.4
<b>CRI Min</b>	Ra 90
<b>CRI Max</b>	Ra 95

### Additional information

<b>Place of installation</b>	Busbar for magnetic slim track
<b>Place of application</b>	indoor
<b>Housing colour</b>	Black
<b>Minimum distance from the illuminated object</b>	0.5 m
<b>Diffuser material</b>	PC
<b>Ultraviolet radiation</b>	no
<b>Operating temperature range</b>	-20° +45°C
<b>Mercury content</b>	Does not contain
<b>Ingress protection</b>	IP20
<b>Housing material</b>	Aluminum alloy, Acrylic

### Dimensions

<b>EAN</b>	4820246485784
<b>Height</b>	70 mm
<b>Width</b>	53 mm
<b>Depth</b>	53 mm
<b>Outer box</b>	30 pcs.
<b>Unit nett weight</b>	165g
<b>In the package</b>	1 pc.

### Signs marking goods

#### Packaging marking

Recycling of waste, CE, Utilization



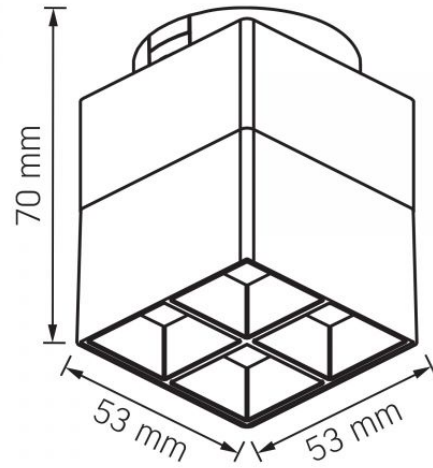
**VIDEX<sup>®</sup>**

VIDEX VL-TRMS-LE24B Black

**INDEX: VL-TRMS-LE24B**

**VIDEX<sup>®</sup>**

VIDEX VL-TRMS-LE24B Black

**INDEX: VL-TRMS-LE24B**

We reserve the right to make technical changes. The data contained in this material is not legally binding.

Allegro opt Sp. z o.o., ul. Mierzeja Wiślana 11,  
30-732 Krakow, Poland.