

TECHNICAL CARD



LED Floodlight



Pursuant to the provisions of the WEEE Act, it is forbidden to put waste equipment marked with the symbol of a crossed out bin together with other waste. The user, wishing to get rid of electronic and electrical equipment, is obliged to return it to a waste equipment collection point. There are no hazardous components in the equipment that have a particularly negative impact on the environment and human health.

VIDEX®



WARRANTY 2 YEARS

NEUTRAL WHITE



Neutral White / Neutralny biały / Neutralni bila / Blanc neuter / Neutrálina biela / Neutraal wit / Semleges feher / Nevtralno bela / Neutralno bijela / Neutralweiß / Alb neutru / Neutralus balta / Neitrāls balta / Neutraalne valge / Нейтрално бяла / Bianco neutro.

General parameters

Control gear replaceable	-
Light source replaceable	no

Type of light source

Energy class of the light source	F
Dimmable	no

Electrical parameters

On-mode power (P _{on})	20 W
Rated voltage, frequency	AC 220-240 V, 50/60 Hz
Cable length	20 cm
Rated current	96 mA
Input interface	Free wire ends

VIDEX-FLOOD-LED-PIR-LUCA-20W-NW

INDEX: VLE-F2e-205W-S

Electric shock protection class I

Photometric parameters

Useful luminous flux of the light source (Φ _{use})	1800 Lm
Correlated color temperature	5000K (neutral white)
Peak luminous intensity	1350 cd
Beam angle	90°
Color rendering index (CRI)	Ra > 80
Lifetime	30000 h
On/Off cycles	20000
Useful luminous flux of the light source reference	in a wide cone (120°)

Additional information

Place of installation	Ceiling, Flat surface, Wall
Vertical adjustment range	180°
Place of application	outdoor
Impact protection	IK07
Housing colour	White
Minimum distance from the illuminated object	0.5 m
Diffuser material	Polycarbonate (PC)
Ultraviolet radiation	no
Motion sensor	yes
Sensor type	PIR
Sensor detection angle	120°

VIDEX®

VIDEX-FLOOD-LED-PIR-LUCA-20W-NW

INDEX: VLE-F2e-205W-S

Sensor time delay	10 s - 7 min
Sensor detection distance	2 - 8 m
Sensor light threshold	10-2000 Lx
Operating temperature range	-20° +50°C
Mercury content	Does not contain
Ingress protection	IP65
Housing material	Aluminum alloy

Dimensions

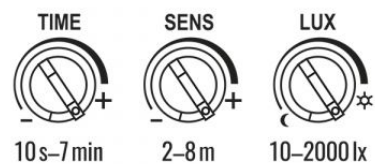
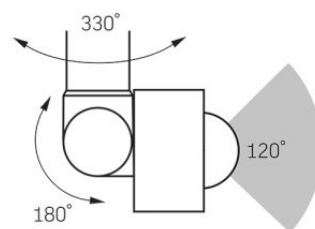
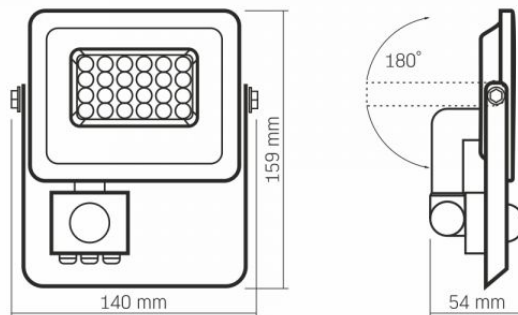
EAN	5904405541159
Height	159 mm
Width	140 mm
Depth	54 mm
Outer box	20 pcs.



VIDEX®

VIDEX-FLOOD-LED-PIR-LUCA-20W-NW

INDEX: VLE-F2e-205W-S



We reserve the right to make technical changes. The data contained in this material is not legally binding.

Allegro opt Sp. z o.o., ul. Mierzeja Wiślana 11,
30-732 Krakow, Poland.

Date: 30.01.2025