

# VIDEX®

VIDEX-FLOOD-LED-PIR-LUCA-10W-NW

INDEX: VLE-F2e-105W-S

## TECHNICAL CARD



LED Floodlight



Pursuant to the provisions of the WEEE Act, it is forbidden to put waste equipment marked with the symbol of a crossed out bin together with other waste. The user, wishing to get rid of electronic and electrical equipment, is obliged to return it to a waste equipment collection point. There are no hazardous components in the equipment that have a particularly negative impact on the environment and human health.

# VIDEX®



## WARRANTY 2 YEARS

NEUTRAL WHITE  
5000K

Neutral White / Neutralny biały / Neutralni bila / Blanc neuter / Neutrálna biela / Neutraal wit / Semleges feher / Nevtralno bela / Neutralno bijela / Neutralweiß / Alb neutru / Neutrus balta / Neitrāls balta / Neutraalne valge / Неутрално бяла / Bianco neutro.

### General parameters

Control gear replaceable	-
Light source replaceable	no
Light source or containing product	Light source

### Type of light source

Energy class of the light source	F
Dimmable	no
Directional or non-directional light source	DLS
Mains or non-mains light source	MLS
Connected light source (cls)	no
Colour-tuneable light source (CTLS)	no
High luminance light source	No

## VIDEX-FLOOD-LED-PIR-LUCA-10W-NW

### INDEX: VLE-F2e-105W-S

Anti-glare shield	No
Technology	LED
<b>Electrical parameters</b>	
On-mode power (Pon)	10 W
Rated voltage, frequency	AC 220-240 V, 50/60 Hz
Cable length	20 cm
Rated current	48 mA
Input interface	Free wire ends
Electric shock protection class	I
Energy consumption in on-mode of the light source (kWh/1000h)	10
Displacement factor (cos φ1)	0.5
Survival factor	0.9
<b>Photometric parameters</b>	
Useful luminous flux of the light source (Φuse)	900 Lm
Correlated color temperature	5000K (neutral white)
Peak luminous intensity	600 cd
Beam angle	90°
Color rendering index (CRI)	Ra > 80
Lifetime	30000 h
On/Off cycles	20000
Useful luminous flux of the light source reference	in a wide cone (120°)
Chromaticity coordinates (x)	0.34

## INDEX: VLE-F2e-105W-S

Chromaticity coordinates (y)	0.359
R9 colour rendering index value	>0
The lumen maintenance factor	≥96%
Colour consistency in MacAdam ellipses (SDCM)	<6 (5000K)
Stroboscopic effect metric (SVM)	outdoor use
Flicker metric (Pst LM)	≤1

### Additional information

Place of installation	Ceiling, Flat surface, Wall
Vertical adjustment range	180°
Place of application	outdoor
Housing colour	White
Impact protection	IK07
Minimum distance from the illuminated object	0.5 m
Diffuser material	Polycarbonate (PC)
Ultraviolet radiation	no
Motion sensor	yes
Sensor type	PIR
Sensor detection angle	120°
Sensor time delay	10 s - 7 min
Sensor detection distance	2 - 8 m
Sensor light threshold	10-2000 Lx
Operating temperature range	-20° +50°C
Suitable for installation in normally flammable surfaces	yes
Mercury content	Does not contain

Ingress protection	IP65
Housing material	Aluminum alloy

### Dimensions

EAN	5904405541142
Height	159 mm
Width	140 mm
Depth	54 mm
Outer box	20 pcs.
In the package	1 pc.

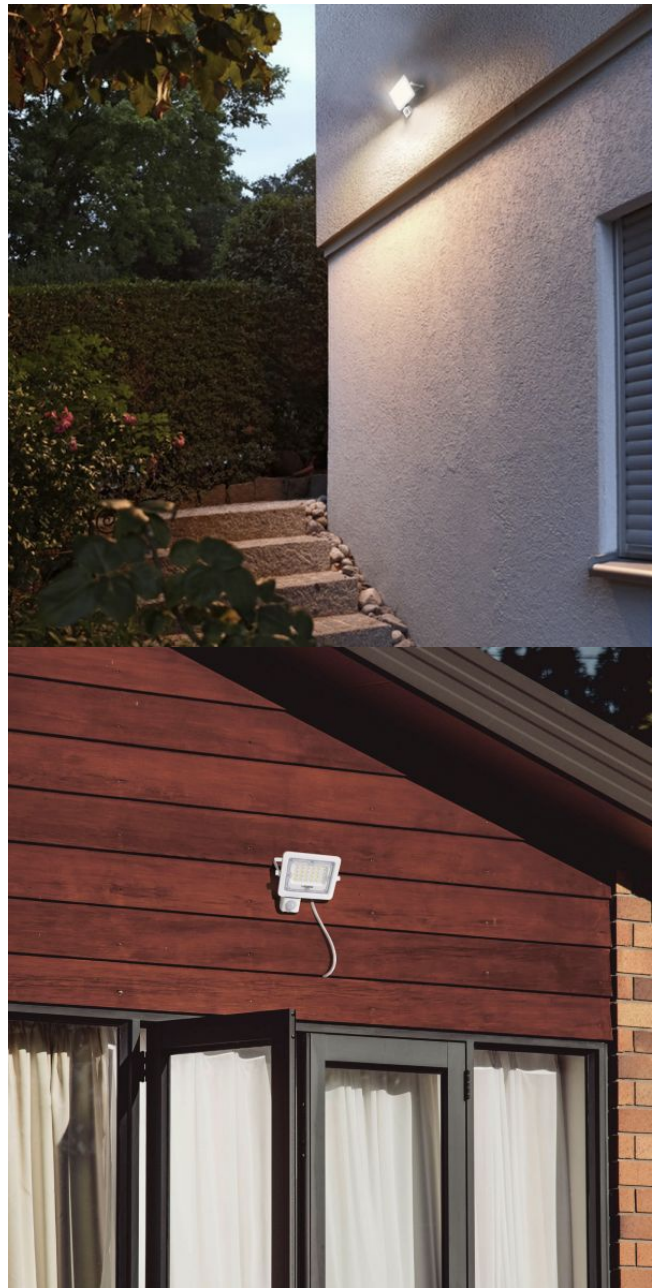
### Signs marking goods

Packaging marking	CE, Utilization
-------------------	-----------------

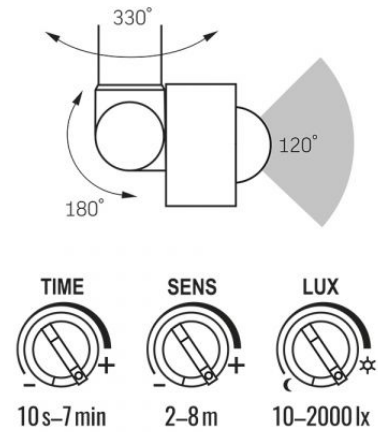
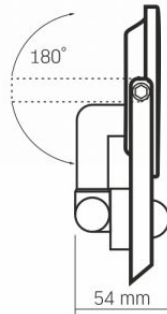
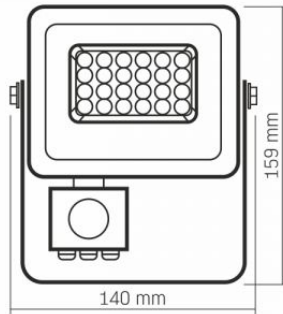


**VIDEX<sup>®</sup>**

VIDEX-FLOOD-LED-PIR-LUCA-10W-NW

**INDEX: VLE-F2e-105W-S**

## INDEX: VLE-F2e-105W-S



We reserve the right to make technical changes. The data contained in this material is not legally binding.

Allegro opt Sp. z o.o., ul. Mierzeja Wiślana 11,  
30-732 Krakow, Poland.