

TECHNICAL CARD



LED Floodlight with motion sensor



Pursuant to the provisions of the WEEE Act, it is forbidden to put waste equipment marked with the symbol of a crossed out bin together with other waste. The user, wishing to get rid of electronic and electrical equipment, is obliged to return it to a waste equipment collection point. There are no hazardous components in the equipment that have a particularly negative impact on the environment and human health.

VIDEX®



Ra ≥ 80



30 000 h



ON/OFF

20 000



IK07



Free



-20° +40°C



Not Dimmable

+ <6x
ellipse
MacAdam

CCT 5000K



No Flicker

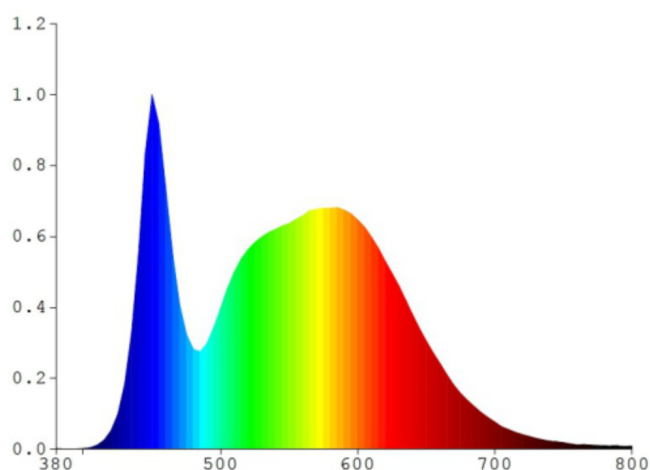


Free



IP65

WARRANTY 2 YEARS



NEUTRAL WHITE



5000K

Neutral White / Neutralny biały / Neutralni bila / Blanc neuter / Neutrálna biela / Neutraal wit / Semleges feher / Nevtralno bela / Neutralno bijela / Neutralweiß / Alb neutru / Neutralus balta / Neitrāls balta / Neutraalne valge / Нейтрално бяла / Bianco neutro.

General parameters

| | |
|------------------------------------|--------------|
| Control gear replaceable | no |
| Light source replaceable | no |
| Light source or containing product | Light source |

VIDEX-FLOOD-LED-F3-PIR-50W-5K

INDEX: VLE-F3-0505B-S

Type of light source

| | |
|----------------------------------------------------------|-----|
| Energy class of the light source | F |
| Dimmable | no |
| Directional (DLS) or non-directional (NDLS) light source | DLS |
| Mains (MLS) or non-mains (NMLS) light source | MLS |
| Connected light source (cls) | no |
| Color-tunable light source | no |
| High luminance light source | No |
| Anti-glare shield | No |
| Technology | LED |

Electrical parameters

| | |
|---------------------------------------------------------------|------------------------|
| On-mode power (Pon) | 50 W |
| Rated voltage, frequency | AC 220-240 V, 50/60 Hz |
| Cable length | 20 cm |
| Rated current | 250 mA |
| Input interface | Free wire ends |
| Electric shock protection class | I |
| Energy consumption in on-mode of the light source (kWh/1000h) | 50 |
| Displacement factor (cos φ1) | 0.9 |
| Survival factor | 0.9 |

Photometric parameters

| | |
|-------------------------------------------------|---------|
| Useful luminous flux of the light source (Φuse) | 4100 Lm |
|-------------------------------------------------|---------|

INDEX: VLE-F3-0505B-S

| | |
|-----------------------------------------------------------|--------------------------|
| Correlated color temperature | 5000K (neutral white) |
| Peak luminous intensity | 2100 cd |
| Beam angle | 110° |
| Color rendering index (CRI) | Ra > 80 |
| Lifetime | 30000 h |
| On/Off cycles | 20000 |
| Useful luminous flux of the light source reference | in a wide cone (120°) |
| Chromaticity coordinates (x) | 0.34 |
| Chromaticity coordinates (y) | 0.359 |
| R9 colour rendering index value | >0 |
| The lumen maintenance factor | ≥96% |
| Colour consistency in MacAdam ellipses (SDCM) | <6 (5000K) |
| Flicker metric (Pst LM) | ≤1 |
| Stroboscopic effect metric (SVM) | outdoor use |
| CRI Min | Ra 80 |
| CRI Max | Ra 88 |

Additional information

| | |
|-----------------------------------------------------|-----------------------------|
| Place of installation | Ceiling, Flat surface, Wall |
| Vertical adjustment range | 180° |
| Place of application | outdoor |
| Impact protection | IK07 |
| Housing colour | Black |
| Minimum distance from the illuminated object | 0.5 m |

| | |
|-----------------------------------------------------------------|--------------------|
| Diffuser material | Polycarbonate (PC) |
| Ultraviolet radiation | no |
| Motion sensor | yes |
| Sensor type | PIR |
| Sensor detection angle | 120° |
| Sensor time delay | 10 s - 7 min |
| Sensor detection distance | 2 - 8 m |
| Sensor light threshold | 10-2000 Lx |
| Operating temperature range | -20° +40°C |
| Suitable for installation in normally flammable surfaces | yes |
| Mercury content | Does not contain |
| Ingress protection | IP65 |
| Housing material | Aluminum alloy |

Dimensions

| | |
|-------------------------|---------------|
| EAN | 5904405542491 |
| Height | 190 mm |
| Width | 180 mm |
| Depth | 52 mm |
| In the package | 1 pc. |
| Outer box | 20 pcs. |
| Unit nett weight | 470g |

Signs marking goods

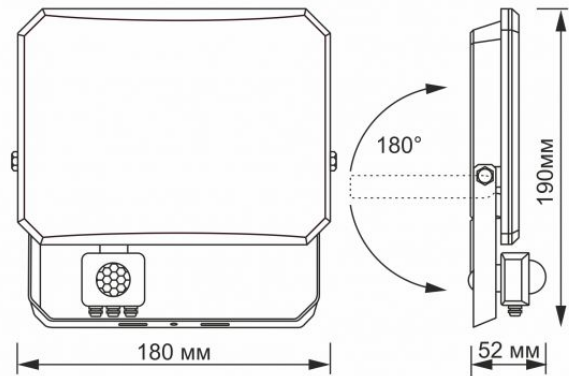
| | |
|--------------------------|-------------------------------------|
| Packaging marking | Recycling of waste, CE, Utilization |
|--------------------------|-------------------------------------|

VIDEX[®]

VIDEX-FLOOD-LED-F3-PIR-50W-5K

INDEX: VLE-F3-0505B-S



INDEX: VLE-F3-0505B-S

We reserve the right to make technical changes. The data contained in this material is not legally binding.

Allegro opt Sp. z o.o., ul. Mierzeja Wiślana 11,
30-732 Krakow, Poland.