

TECHNICAL CARD



LED Floodlight with motion sensor



Pursuant to the provisions of the WEEE Act, it is forbidden to put waste equipment marked with the symbol of a crossed out bin together with other waste. The user, wishing to get rid of electronic and electrical equipment, is obliged to return it to a waste equipment collection point. There are no hazardous components in the equipment that have a particularly negative impact on the environment and human health.

VIDEX®



Ra ≥ 80



30 000 h



ON/OFF

20 000



IK07



Free



-20° +40°C



Not Dimmable

+ <6x
ellipse
MacAdam

CCT 5000K



No Flicker

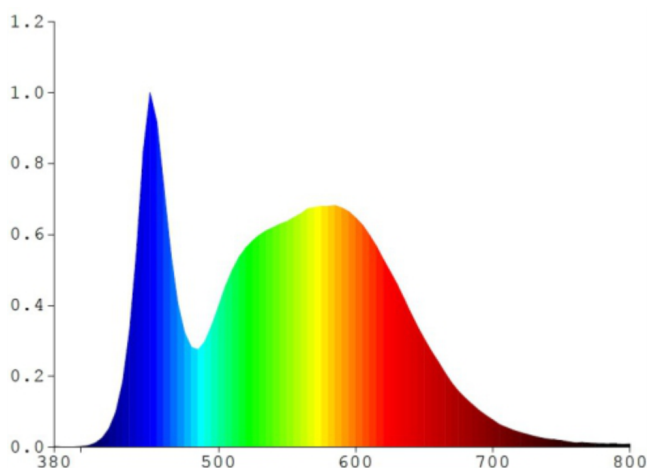


Free



IP65

WARRANTY 2 YEARS



NEUTRAL WHITE



5000K

Neutral White / Neutralny biały / Neutralni bila / Blanc neuter / Neutrálna biela / Neutraal wit / Semleges feher / Nevtralno bela / Neutralno bijela / Neutralweiß / Alb neutru / Neutralus balta / Neitrāls balta / Neutraalne valge / Неутрално бяла / Bianco neutro.

General parameters

Light source or containing product	Light source
Control gear replaceable	no
Light source replaceable	no

VIDEX-FLOOD-LED-F3-PIR-30W-5K

INDEX: VLE-F3-0305B-S

Type of light source

Energy class of the light source	F
Dimmable	no
Directional (DLS) or non-directional (NDLS) light source	DLS
Connected light source (cls)	no
Color-tunable light source	no
Mains (MLS) or non-mains (NMLS) light source	MLS
High luminance light source	No
Anti-glare shield	No
Technology	LED

Electrical parameters

On-mode power (Pon)	30 W
Rated voltage, frequency	AC 220-240 V, 50/60 Hz
Cable length	20 cm
Rated current	150 mA
Input interface	Free wire ends
Electric shock protection class	I
Energy consumption in on-mode of the light source (kWh/1000h)	30
Displacement factor (cos φ1)	0.9
Survival factor	0.9

Photometric parameters

Useful luminous flux of the contained light source (Φuse)	2400 Lm
--	---------

INDEX: VLE-F3-0305B-S

Correlated color temperature	5000K (neutral white)
Peak luminous intensity	1200 cd
Beam angle	110°
Color rendering index (CRI)	Ra > 80
Lifetime	30000 h
On/Off cycles	20000
Useful luminous flux of the light source reference	in a wide cone (120°)
Chromaticity coordinates (x)	0.34
Chromaticity coordinates (y)	0.359
R9 colour rendering index value	>0
The lumen maintenance factor	≥96%
Colour consistency in MacAdam ellipses (SDCM)	<6 (5000K)
Flicker metric (Pst LM)	≤1
Stroboscopic effect metric (SVM)	outdoor use
CRI Min	Ra 80
CRI Max	Ra 88

Additional information

Place of installation	Ceiling, Flat surface, Wall
Vertical adjustment range	180°
Place of application	outdoor
Impact protection	IK07
Housing colour	Black
Minimum distance from the illuminated object	0.5 m

Diffuser material	Polycarbonate (PC)
Ultraviolet radiation	no
Motion sensor	yes
Sensor type	PIR
Sensor detection angle	120°
Sensor time delay	10 s - 7 min
Sensor detection distance	2 - 8 m
Sensor light threshold	10-2000 Lx
Operating temperature range	-20° +40°C
Suitable for installation in normally flammable surfaces	yes
Mercury content	Does not contain
Ingress protection	IP65
Housing material	Aluminum alloy

Dimensions

EAN	5904405542484
Height	154 mm
Width	141 mm
Depth	52 mm
In the package	1 pc.
Outer box	20 pcs.
Unit nett weight	290g

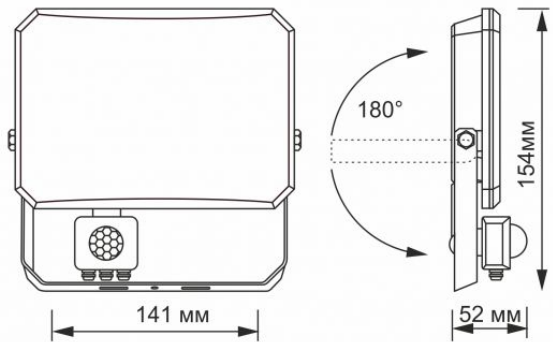
Signs marking goods

Packaging marking	Recycling of waste, CE, Utilization
--------------------------	-------------------------------------

VIDEX[®]

VIDEX-FLOOD-LED-F3-PIR-30W-5K

INDEX: VLE-F3-0305B-S

INDEX: VLE-F3-0305B-S

We reserve the right to make technical changes. The data contained in this material is not legally binding.

Allegro opt Sp. z o.o., ul. Mierzeja Wiślana 11,
30-732 Krakow, Poland.