

## TECHNICAL CARD



LED Floodlight with motion sensor



Pursuant to the provisions of the WEEE Act, it is forbidden to put waste equipment marked with the symbol of a crossed out bin together with other waste. The user, wishing to get rid of electronic and electrical equipment, is obliged to return it to a waste equipment collection point. There are no hazardous components in the equipment that have a particularly negative impact on the environment and human health.

# VIDEX®



Ra ≥ 80



30 000 h



ON/OFF

20 000



IK07



Free



-20° +40°C



Not Dimmable

+ <6x  
ellipse  
MacAdam

CCT 5000K



No Flicker

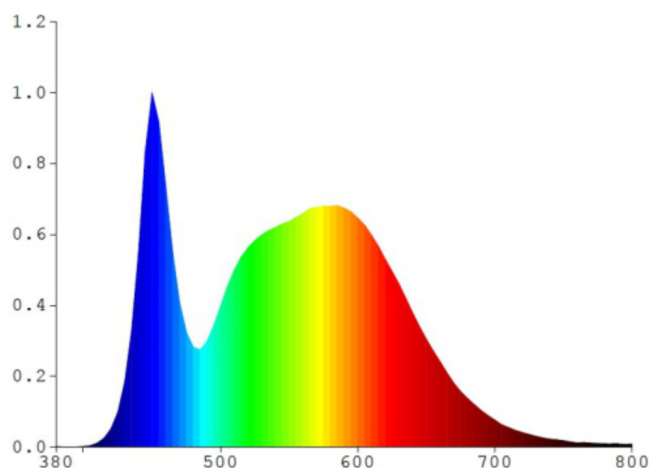


Free



IP65

## WARRANTY 2 YEARS



### NEUTRAL WHITE



5000K

Neutral White / Neutralny biały / Neutralni bila / Blanc neuter / Neutrálna biela / Neutraal wit / Semleges feher / Nevtralno bela / Neutrálno bijela / Neutralweiß / Alb neutru / Neutralus balta / Neitrāls balta / Neutraalne valge / Неутрално бяла / Bianco neutro.

### General parameters

Light source or containing product	Light source
Control gear replaceable	no
Light source replaceable	no

## VIDEX-FLOOD-LED-F3-PIR-20W-5K

### INDEX: VLE-F3-0205B-S

### Type of light source

Energy class of the light source	F
Dimmable	no
Directional (DLS) or non-directional (NDLS) light source	DLS
Connected light source (cls)	no
Color-tunable light source	no
Mains (MLS) or non-mains (NMLS) light source	MLS
High luminance light source	No
Anti-glare shield	No
Technology	LED

### Electrical parameters

On-mode power (Pon)	20 W
Rated voltage, frequency	AC 220-240 V, 50/60 Hz
Cable length	20 cm
Rated current	100 mA
Input interface	Free wire ends
Electric shock protection class	I
Energy consumption in on-mode of the light source (kWh/1000h)	20
Displacement factor (cos φ1)	0.9
Survival factor	0.9

### Photometric parameters

Useful luminous flux of the contained light source (Φuse)	1600 Lm
---	---------

## INDEX: VLE-F3-0205B-S

<b>Correlated color temperature</b>	5000K (neutral white)
<b>Peak luminous intensity</b>	700 cd
<b>Beam angle</b>	110°
<b>Color rendering index (CRI)</b>	Ra > 80
<b>Lifetime</b>	30000 h
<b>On/Off cycles</b>	20000
<b>Useful luminous flux of the light source reference</b>	in a wide cone (120°)
<b>Chromaticity coordinates (x)</b>	0.34
<b>Chromaticity coordinates (y)</b>	0.359
<b>R9 colour rendering index value</b>	>0
<b>The lumen maintenance factor</b>	≥96%
<b>Colour consistency in MacAdam ellipses (SDCM)</b>	<6 (5000K)
<b>Flicker metric (Pst LM)</b>	≤1
<b>Stroboscopic effect metric (SVM)</b>	outdoor use
<b>CRI Min</b>	Ra 80
<b>CRI Max</b>	Ra 88

### Additional information

<b>Place of installation</b>	Ceiling, Flat surface, Wall
<b>Vertical adjustment range</b>	180°
<b>Place of application</b>	outdoor
<b>Housing colour</b>	Black
<b>Impact protection</b>	IK07
<b>Minimum distance from the illuminated object</b>	0.5 m

<b>Diffuser material</b>	Polycarbonate (PC)
<b>Ultraviolet radiation</b>	no
<b>Motion sensor</b>	yes
<b>Sensor type</b>	PIR
<b>Sensor detection angle</b>	120°
<b>Sensor time delay</b>	10 s - 7 min
<b>Sensor detection distance</b>	2 - 8 m
<b>Sensor light threshold</b>	10-2000 Lx
<b>Operating temperature range</b>	-20° +40°C
<b>Suitable for installation in normally flammable surfaces</b>	yes
<b>Mercury content</b>	Does not contain
<b>Ingress protection</b>	IP65
<b>Housing material</b>	Aluminum alloy

### Dimensions

<b>EAN</b>	5904405542477
<b>Height</b>	135 mm
<b>Width</b>	101 mm
<b>Depth</b>	52 mm
<b>In the package</b>	1 pc.
<b>Outer box</b>	20 pcs.
<b>Unit nett weight</b>	210g

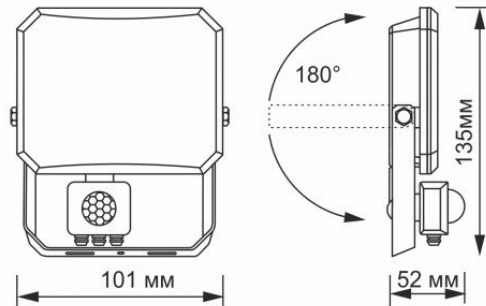
### Signs marking goods

<b>Packaging marking</b>	Recycling of waste, CE, Utilization
--------------------------	-------------------------------------

**VIDEX®**

VIDEX-FLOOD-LED-F3-PIR-20W-5K

**INDEX: VLE-F3-0205B-S**

**INDEX: VLE-F3-0205B-S**

We reserve the right to make technical changes. The data contained in this material is not legally binding.

Allegro opt Sp. z o.o., ul. Mierzeja Wiślana 11,  
30-732 Krakow, Poland.