

TECHNICAL CARD



LED Floodlight



Pursuant to the provisions of the WEEE Act, it is forbidden to put waste equipment marked with the symbol of a crossed out bin together with other waste. The user, wishing to get rid of electronic and electrical equipment, is obliged to return it to a waste equipment collection point. There are no hazardous components in the equipment that have a particularly negative impact on the environment and human health.

VIDEX®



Ra ≥ 80



30 000 h



ON/OFF

20 000



IK07



Free



Not Dimmable



CCT 5000K

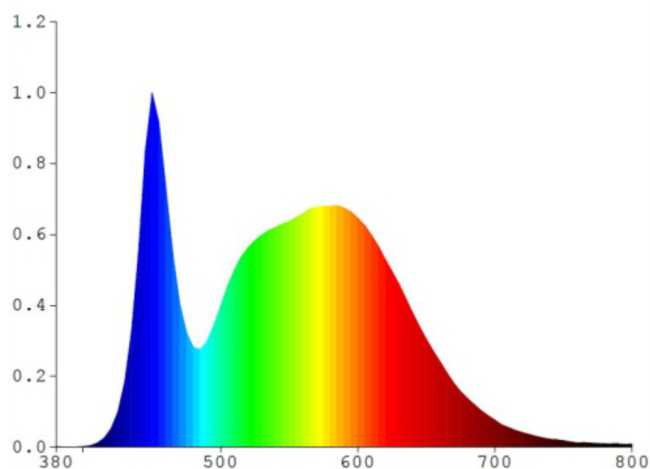


Free



IP65

WARRANTY 2 YEARS



NEUTRAL WHITE



5000K

Neutral White / Neutralny biały / Neutralni bila / Blanc neuter / Neutrálna biela / Neutraal wit / Semleges feher / Nevtralno bela / Neutralno bijela / Neutralweiß / Alb neutru / Neutralus balta / Neitrāls balta / Neutraalne valge / Неутрално бяла / Bianco neutro.

General parameters

Control gear replaceable	no
Light source replaceable	no
Light source or containing product	Light source

Type of light source

Energy class of the light source	F
----------------------------------	---

VIDEX-FLOOD-LED-F3-100W-5K

INDEX: VLE-F3-1005B

Dimmable	no
Directional or non-directional light source	DLS
Mains or non-mains light source	MLS
Connected light source (cls)	no
Colour-tuneable light source (CTLS)	no
High luminance light source	No
Anti-glare shield	No
Technology	LED

Electrical parameters

On-mode power (Pon)	100 W
Rated voltage, frequency	AC 220-240 V, 50/60 Hz
Cable length	20 cm
Rated current	500 mA
Input interface	Free wire ends
Electric shock protection class	I
Energy consumption in on-mode of the light source (kWh/1000h)	100
Displacement factor (cos φ1)	0.9
Survival factor	0.9

Photometric parameters

Useful luminous flux of the light source (Φuse)	8200 Lm
Correlated color temperature	5000K (neutral white)
Peak luminous intensity	4100 cd

INDEX: VLE-F3-1005B

Beam angle	110°
Color rendering index (CRI)	Ra > 80
Lifetime	30000 h
On/Off cycles	20000
Useful luminous flux of the light source reference	in a wide cone (120°)
Chromaticity coordinates (x)	0.34
Chromaticity coordinates (y)	0.359
R9 colour rendering index value	>0
The lumen maintenance factor	≥96%
Flicker metric (Pst LM)	≤1
Colour consistency in MacAdam ellipses (SDCM)	<6 (5000K)
Stroboscopic effect metric (SVM)	outdoor use
CRI Min	Ra 80
CRI Max	Ra 88

Additional information

Vertical adjustment range	180°
Place of installation	Ceiling, Flat surface, Wall
Place of application	outdoor
Housing colour	Black
Impact protection	IK07
Minimum distance from the illuminated object	0.5 m
Diffuser material	PC
Ultraviolet radiation	no
Motion sensor	no

Operating temperature range	-20° +50°C
Suitable for installation in normally flammable surfaces	yes
Mercury content	Does not contain
Ingress protection	IP65
Housing material	Aluminum alloy

Dimensions

EAN	5904405542460
Height	190 mm
Width	264 mm
Depth	41 mm
Outer box	10 pcs.
Unit nett weight	860g
In the package	1 pc.

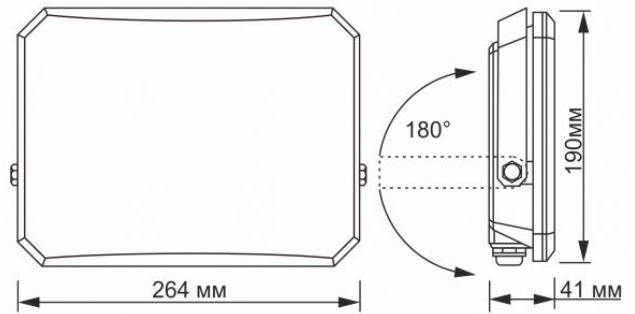
Signs marking goods

Packaging marking	Recycling of waste, CE, Utilization
-------------------	-------------------------------------

VIDEX[®]

VIDEX-FLOOD-LED-F3-100W-5K

INDEX: VLE-F3-1005B

INDEX: VLE-F3-1005B

We reserve the right to make technical changes. The data contained in this material is not legally binding.

Allegro Opt Sp. z o.o., Handlowa 23, 05-120 Legionowo, Poland.