

TECHNICAL CARD



LED Floodlight

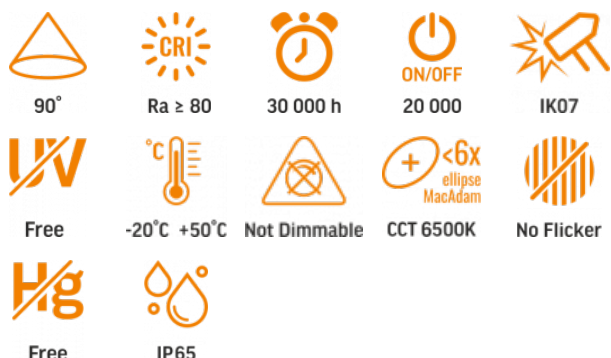


Pursuant to the provisions of the WEEE Act, it is forbidden to put waste equipment marked with the symbol of a crossed out bin together with other waste. The user, wishing to get rid of electronic and electrical equipment, is obliged to return it to a waste equipment collection point. There are no hazardous components in the equipment that have a particularly negative impact on the environment and human health.

VIDEX®

VIDEX-FLOOD-LED-DAVIS-50W-NW

INDEX: VL-F2-505G



WARRANTY 3 YEARS



Neutral White / Neutralny biały / Neutralni bila / Blanc neuter / Neutrálna biela / Neutraal wit / Semleges feher / Nevtralno bela / Neutralno bijela / Neutralweiß / Alb neutru / Neutrus balta / Neitrāls balta / Neutraalne valge / Неутрално бяла / Bianco neutro.

General parameters

Control gear replaceable	no
Light source replaceable	no
Light source or containing product	Light source

Type of light source

Energy class of the light source	D
Dimmable	no
Directional (DLS) or non-directional (NDLS) light source	DLS
Mains (MLS) or non-mains (NMLS) light source	MLS
Connected light source (cls)	no
Color-tunable light source	no
Technology	LED

Electrical parameters

On-mode power (Pon)	50 W
Rated voltage, frequency	AC 220-240 V, 50/60 Hz
Cable length	30 cm
Rated current	240 mA
Input interface	Free wire ends
Electric shock protection class	I
Energy consumption in on-mode of the light source (kWh/1000h)	50
Displacement factor (cos φ1)	0.7
Survival factor	0.9

Photometric parameters

Useful luminous flux of the light source (Φuse)	6500 Lm
Correlated color temperature	5000K (neutral white)
Peak luminous intensity	3900 cd
Beam angle	90°
Color rendering index (CRI)	Ra > 80
Lifetime	30000 h
On/Off cycles	20000
Useful luminous flux of the light source reference	in a wide cone (120°)
Chromaticity coordinates (x)	0.34
Chromaticity coordinates (y)	0.359
R9 colour rendering index value	>0

INDEX: VL-F2-505G

The lumen maintenance factor	≥96%
Colour consistency in MacAdam ellipses (SDCM)	<6 (6500K)
Flicker metric (Pst LM)	≤1
Stroboscopic effect metric (SVM)	outdoor use

Depth	29 mm
In the package	1 pc.
Outer box	20 pcs.

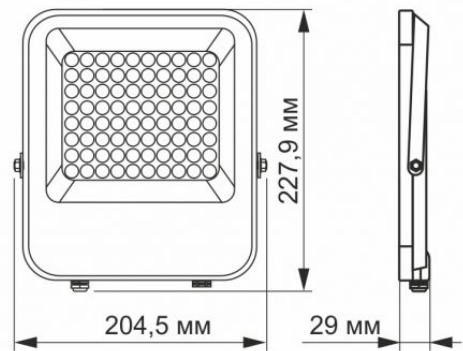
Additional information

Place of installation	Ceiling, Flat surface, Wall
Vertical adjustment range	180°
Place of application	outdoor
Housing colour	Gray
Impact protection	IK07
Minimum distance from the illuminated object	0.5 m
Diffuser material	Polycarbonate (PC)
Ultraviolet radiation	no
Motion sensor	no
Operating temperature range	-20° +50°C
Suitable for installation in normally flammable surfaces	yes
Mercury content	Does not contain
Ingress protection	IP65
Housing material	Aluminum

Dimensions

EAN	5904405542125
Height	227.9 mm
Width	204.5 mm



INDEX: VL-F2-505G

We reserve the right to make technical changes. The data contained in this material is not legally binding.

Allegro opt Sp. z o.o., ul. Mierzeja Wiślana 11,
30-732 Krakow, Poland.