

## TECHNICAL CARD



LED Floodlight



Pursuant to the provisions of the WEEE Act, it is forbidden to put waste equipment marked with the symbol of a crossed out bin together with other waste. The user, wishing to get rid of electronic and electrical equipment, is obliged to return it to a waste equipment collection point. There are no hazardous components in the equipment that have a particularly negative impact on the environment and human health.

## INDEX: VL-F2-305G



## WARRANTY 3 YEARS

### NEUTRAL WHITE



5000K

Neutral White / Neutralny biały / Neutralni bila / Blanc neuter / Neutrálna biela / Neutraal wit / Semleges feher / Nevtralno bela / Neutralno bijela / Neutralweiß / Alb neutru / Neutralus balta / Neitrāls balta / Neutraalne valge / Нейтрално бяла / Bianco neutro.

### General parameters

Light source or containing product	Light source
Control gear replaceable	no
Light source replaceable	no

### Type of light source

Energy class of the light source	D
Dimmable	no
Directional (DLS) or non-directional (NDLS) light source	DLS
Connected light source (cls)	no
Color-tunable light source	no
Mains (MLS) or non-mains (NMLS) light source	MLS

Technology	LED
------------	-----

### Electrical parameters

On-mode power (Pon)	30 W
Rated voltage, frequency	AC 220-240 V, 50/60 Hz
Cable length	30 cm
Rated current	140 mA
Input interface	Free wire ends
Electric shock protection class	I
Energy consumption in on-mode of the light source (kWh/1000h)	30
Displacement factor (cos φ1)	0.5
Survival factor	0.9

### Photometric parameters

Useful luminous flux of the contained light source (Φuse)	3900 Lm
Correlated color temperature	5000K (neutral white)
Peak luminous intensity	2450 cd
Beam angle	90°
Color rendering index (CRI)	Ra > 80
Lifetime	30000 h
On/Off cycles	20000
Useful luminous flux of the light source reference	in a wide cone (120°)
Chromaticity coordinates (x)	0.34
Chromaticity coordinates (y)	0.359

### INDEX: VL-F2-305G

<b>R9 colour rendering index value</b>	>0
<b>The lumen maintenance factor</b>	≥96%
<b>Colour consistency in MacAdam ellipses (SDCM)</b>	<6 (6500K)
<b>Flicker metric (Pst LM)</b>	≤1
<b>Stroboscopic effect metric (SVM)</b>	outdoor use

<b>Width</b>	178 mm
<b>Depth</b>	29 mm
<b>In the package</b>	1 pc.
<b>Outer box</b>	20 pcs.

### Additional information

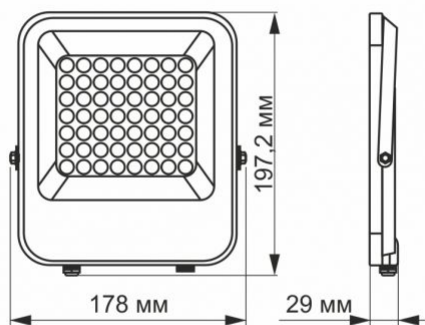
<b>Place of installation</b>	Ceiling, Flat surface, Wall
<b>Vertical adjustment range</b>	180°
<b>Place of application</b>	outdoor
<b>Impact protection</b>	IK07
<b>Housing colour</b>	Gray
<b>Minimum distance from the illuminated object</b>	0.5 m
<b>Diffuser material</b>	Polycarbonate (PC)
<b>Ultraviolet radiation</b>	no
<b>Motion sensor</b>	no
<b>Operating temperature range</b>	-20° +50°C
<b>Suitable for installation in normally flammable surfaces</b>	yes
<b>Mercury content</b>	Does not contain
<b>Ingress protection</b>	IP65
<b>Housing material</b>	Aluminum

### Dimensions

<b>EAN</b>	5904405542118
<b>Height</b>	197.2 mm



### INDEX: VL-F2-305G



We reserve the right to make technical changes. The data contained in this material is

not legally binding.

Allegro opt Sp. z o.o., ul. Mierzeja Wiślana 11,  
30-732 Krakow, Poland.



The product must be used outdoors



Minimum distance from the illuminated object



Protection against electric shock class I. A product in which the means of protection against electric shock, in addition to the main insulation, is an additional protective circuit connected to the grounding of the power supply network



The product can be installed and used in/on normally flammable surfaces



Rated beam angle



Ra > 80 - color rendering index



Nominal lifetime (hours)



Rated On/off cycles



The product withstands a medium impact (e.g., from a blunt object)



The product does not emit ultraviolet light



Operating temperatures range



The product is incompatible with light regulators



Colour consistency in MacAdam ellipses (SDCM)



The flickering of the light does not exceed the permissible level



The product does not contain mercury



Class of protection against dust and moisture. The product has full protection against dust and water jets from all directions