

TECHNICAL CARD

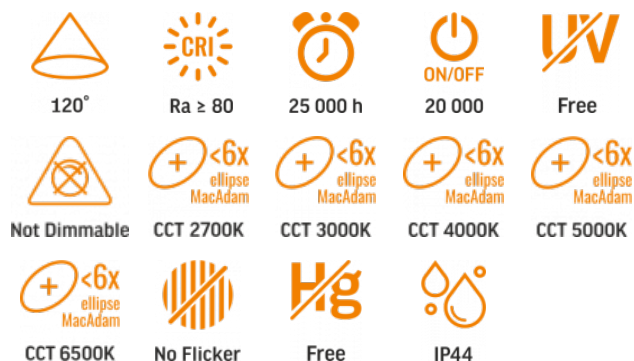


LED Emergency Ceiling Light with motion sensor



Pursuant to the provisions of the WEEE Act, it is forbidden to put waste equipment marked with the symbol of a crossed out bin together with other waste. The user, wishing to get rid of electronic and electrical equipment, is obliged to return it to a waste equipment collection point. There are no hazardous components in the equipment that have a particularly negative impact on the environment and human health.

INDEX: VL-CLR-EM300-2



WARRANTY 3 YEARS

General parameters

Control gear replaceable	by the producer
Light source replaceable	by the producer
Light source or containing product	Containing product

Type of light source

Energy class of the light source	F
Dimmable	no
Directional or non-directional light source	NDLS
Mains or non-mains light source	MLS
Connected light source (cls)	no
Colour-tuneable light source (CTLS)	no
High luminance light source	No
Anti-glare shield	No
Technology	LED

Electrical parameters

On-mode power (Pon)	30W Max
Rated voltage, frequency	AC 175-265 V, 50/60 Hz
Rated current	150 mA
Input interface	Free wire ends
Electric shock protection class	II
Displacement factor (cos φ1)	-
Energy consumption in on-mode of the light source (kWh/1000h)	30
Survival factor	1

Photometric parameters

Useful luminous flux of the light source (Φuse)	3000 Lm, 300 Lm (Emergency mode)
Correlated color temperature	6500K (cold white), 5000K (neutral white), 4000K (neutral white), 3000K (warm white), 2700K (warm white)
Beam angle	120°
Color rendering index (CRI)	Ra > 80
Lifetime	25000 h
On/Off cycles	20000
Useful luminous flux of the light source in a sphere reference (360°)	
R9 colour rendering index value	>0
The lumen maintenance factor	≥96%

INDEX: VL-CLR-EM300-2

Flicker metric (Pst LM)	≤1
Colour consistency in MacAdam ellipses (SDCM)	<6 (2700K), <6 (3000K), <6 (4000K), <6 (5000K), <6 (6500K)
Stroboscopic effect metric (SVM)	≤0.4
CRI Min	Ra 80
CRI Max	Ra 88

Additional information

Place of installation	Ceiling, Wall
Place of application	indoor
Housing colour	White
Minimum distance from the illuminated object	0.5 m
Diffuser material	PC, ABS
Ultraviolet radiation	no
Operating temperature range	-20° +40°C
Suitable for installation in normally flammable surfaces	yes
Mercury content	Does not contain
Ingress protection	IP44
Housing material	Aluminum, PC, Acrylic

Dimensions

EAN	4820246485456
Height	330 mm
Width	330 mm
Depth	70 mm

Outer box	10 pcs.
Unit nett weight	840g
In the package	1 pc.

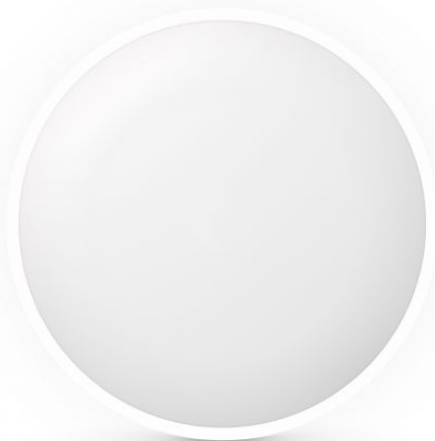
Signs marking goods

Packaging marking

Recycling of
waste, CE,
Utilization



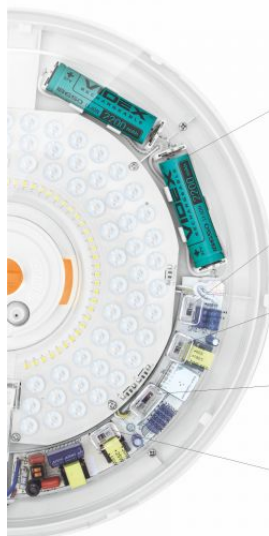
INDEX: VL-CLR-EM300-2



Emergency backup light
300 lm, 6 h

Clear cover, dust-proof, insect-proof,
anti-electric shock

Linkable terminal block



Replaceable battery
18650 Li-Ion 3.7 V 2200 mAh x2

Mode setting:
OFF / DAY SENSOR / NIGHT SENSOR

Motion sensor delay
30 s. / 60 s. / 180 s.

Color switch:
2700K/3000K/4000K/5000K/6500K

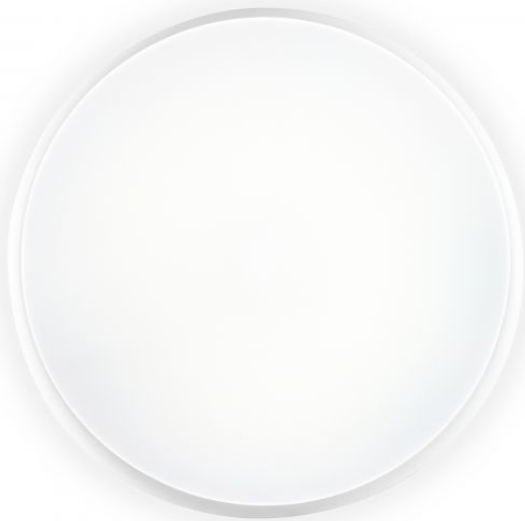
Power switch:
15W / 25W / 30W

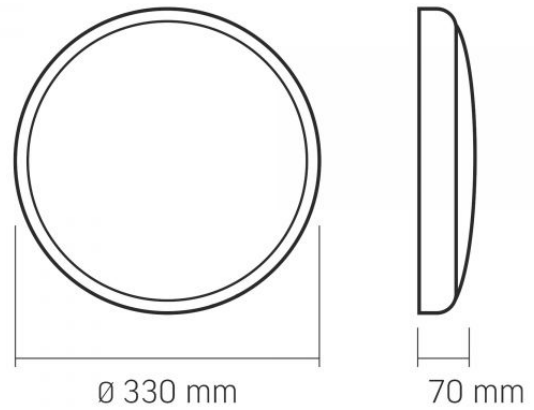
VIDEX[®]

VIDEX VL-CLR-EM300-2

INDEX: VL-CLR-EM300-2

2700K / 3000K / 4000K / 5000K / 6500K



INDEX: VL-CLR-EM300-2

We reserve the right to make technical changes. The data contained in this material is not legally binding.

Allegro opt Sp. z o.o., ul. Mierzeja Wiślana 11,
30-732 Krakow, Poland.