

TECHNICAL CARD



LED Recessed Downlight



Pursuant to the provisions of the WEEE Act, it is forbidden to put waste equipment marked with the symbol of a crossed out bin together with other waste. The user, wishing to get rid of electronic and electrical equipment, is obliged to return it to a waste equipment collection point. There are no hazardous components in the equipment that have a particularly negative impact on the environment and human health.

VIDEX®



120°



Ra ≥ 80



30 000 h

ON/OFF
20 000

Free



Not Dimmable



CCT 4000K



No Flicker



Free



IP20

WARRANTY 2 YEARS

NEUTRAL WHITE



4000K

Neutral White / Neutralny biały / Neutralni bila / Blanc neuter / Neutrálna biela / Neutraal wit / Semleges feher / Nevtralno bela / Neutralno bijela / Neutralweiß / Alb neutru / Neutralus balta / Neitrāls balta / Neutraalne valge / Нейтрално бяла / Bianco neutro.

General parameters

Control gear replaceable	-
Light source replaceable	by the producer
Light source or containing product	Containing product

Type of light source

Energy class of the light source	E
Dimmable	no
Directional or non-directional light source	NDLS
Mains or non-mains light source	MLS
Connected light source (cls)	no
Colour-tuneable light source (CTLS)	no
High luminance light source	No
Anti-glare shield	No

VIDEX-DOWNLIGHT-LED-DLBR-244-24W-NW

INDEX: VLE-DLBR-244

Technology	LED
Electrical parameters	
On-mode power (Pon)	24 W
Rated voltage, frequency	AC 220-240 V, 50/60 Hz
Rated current	130 mA
Input interface	Free wire ends
Electric shock protection class	II
Displacement factor (cos φ1)	0.7
Energy consumption in on-mode of the light source (kWh/1000h)	24
Survival factor	0.9
Photometric parameters	
Useful luminous flux of the light source (Φuse)	2700 Lm
Correlated color temperature	4000K (neutral white)
Beam angle	120°
Color rendering index (CRI)	Ra > 80
Lifetime	30000 h
On/Off cycles	20000
Useful luminous flux of the light source reference	in a sphere (360°)
Chromaticity coordinates (x)	0.38
Chromaticity coordinates (y)	0.38
R9 colour rendering index value	>0
The lumen maintenance factor	≥96%

INDEX: VLE-DLBR-244

Colour consistency in MacAdam ellipses (SDCM)	<6 (4000K)
Flicker metric (Pst LM)	≤1
Stroboscopic effect metric (SVM)	≤0.4
CRI Min	Ra 80
CRI Max	Ra 89

Additional information

Place of installation	Ceiling, Recessed
Place of application	indoor
Housing colour	White
Ultraviolet radiation	no
Operating temperature range	-20° +40°C
Suitable for installation in normally flammable surfaces	yes
Mercury content	Does not contain
Ingress protection	IP20
Housing material	Plastic

Dimensions

EAN	5904405542644
Height	295 mm
Width	295 mm
Depth	30 mm
Outer box	20 pcs.
Unit nett weight	230g
In the package	1 pc.

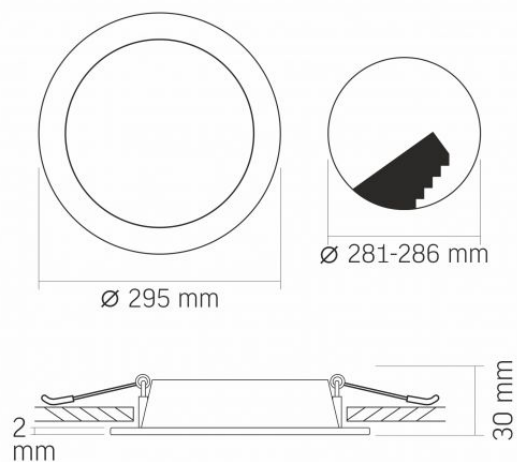
Signs marking goods

Packaging marking

Recycling of waste, CE, Utilization



INDEX: VLE-DLBR-244



We reserve the right to make technical changes. The data contained in this material is not legally binding.

Allegro opt Sp. z o.o., ul. Mierzeja Wiślana 11,
30-732 Krakow, Poland.